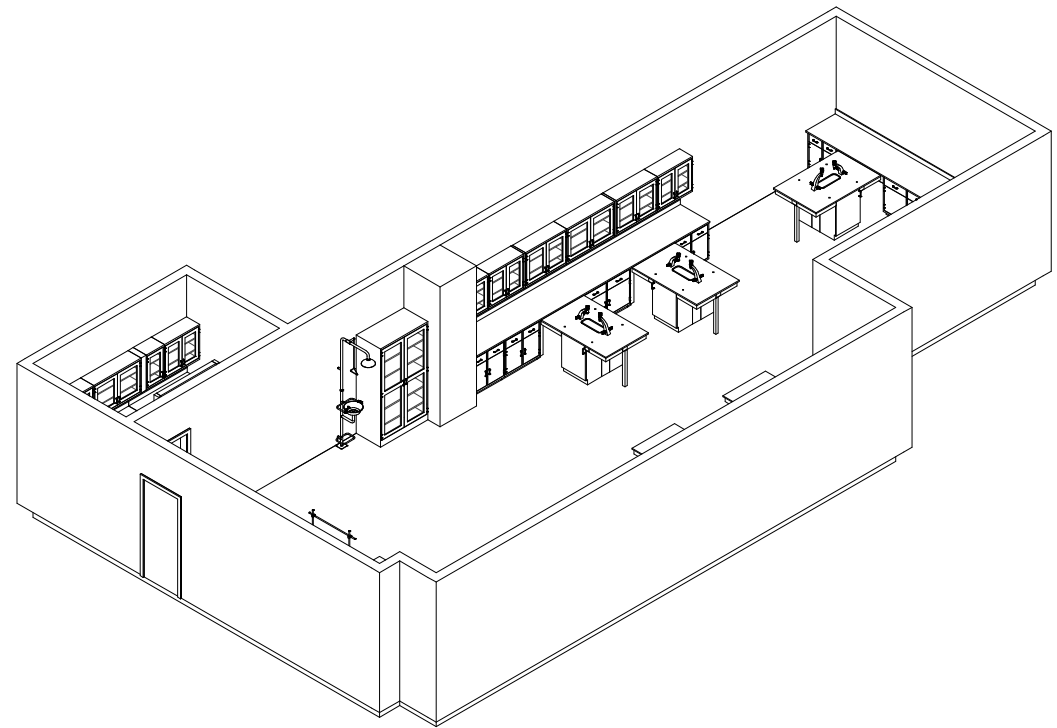
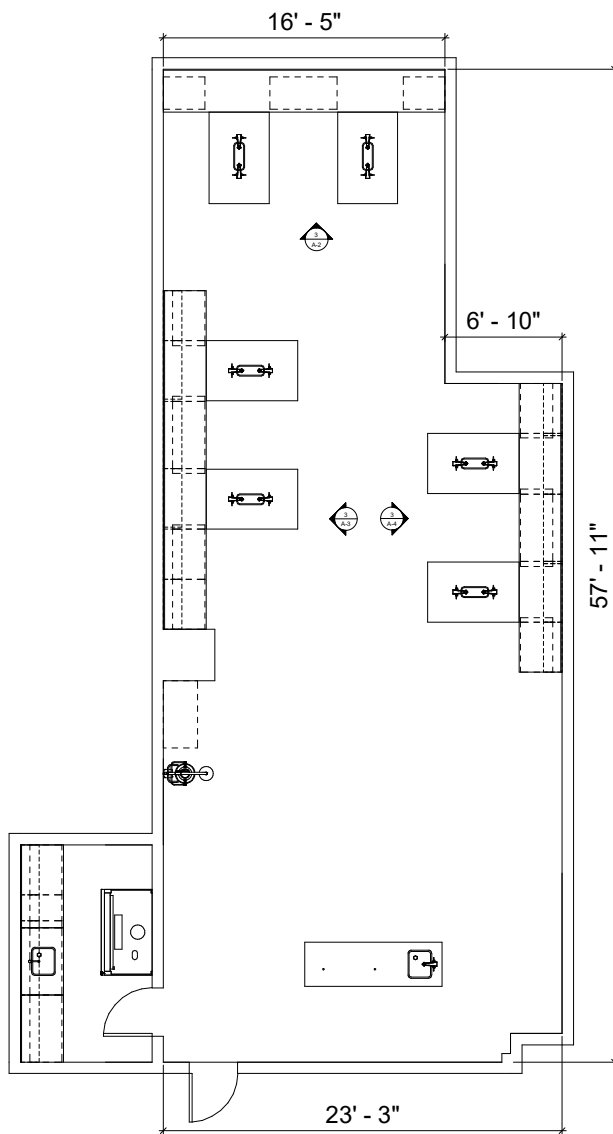
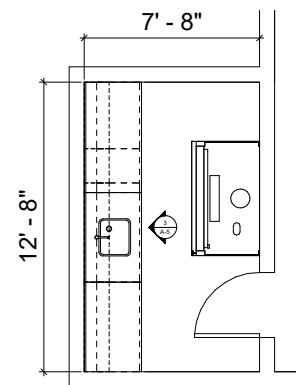


1 PPHS Room 406 Floor Plan  
 3/8" = 1'-0"

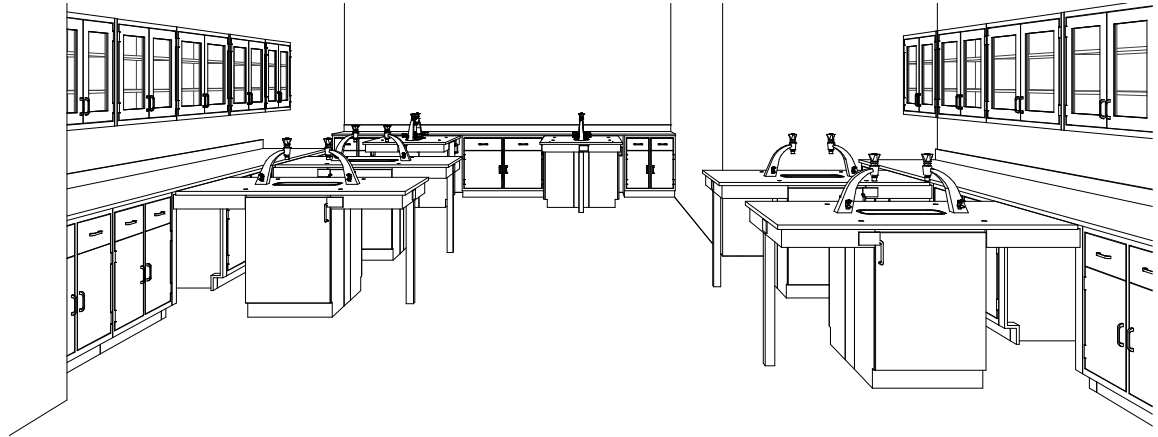
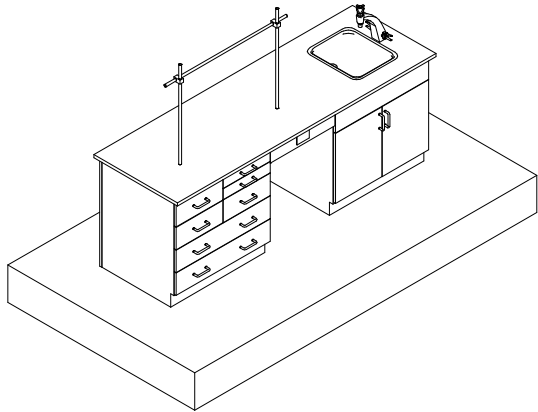


2 Prep Room Floor Plan  
 1/2" = 1'-0"



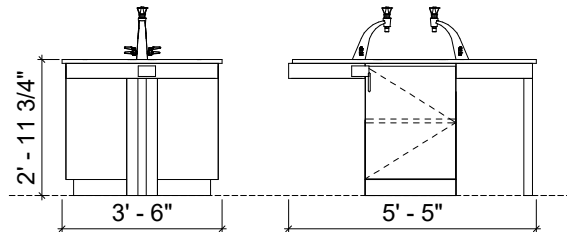
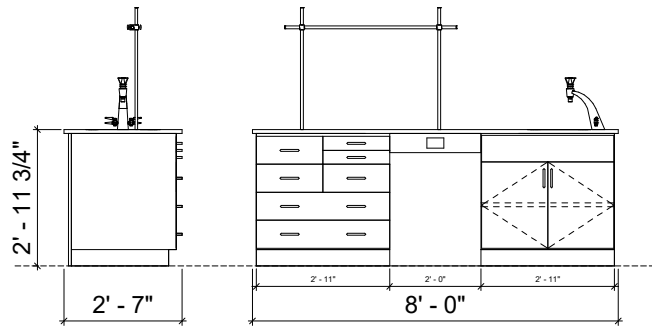
<b>LONGO</b>	
Point Pleasant Floor Plan	
Project Number	2020-003
Date	01.03.20
Drawn By	Ryan J. Gallow
Checked By	Checker
<b>A-1</b>	
Scale	As indicated

11/14/2020 10:11:27 AM



○ Teacher's Demo Desk (1)  
1" = 1'-0"

○ Pier/Island Tables (6)  
1" = 1'-0"



<b>LONGO</b>	
Point Pleasant Workstations	
Project Number	2020-003
Date	01.03.20
Drawn By	Ryan J. Gallow
Checked By	Checker
<b>A-6</b>	
Scale	1" = 1'-0"

11/14/2020 10:17:25 AM

1 A-3 Elevation



2 A-4 Elevation



3 Prep Room Casework



LONGO	
Point Pleasant	
Renderings	
Project Number	2020-003
Date	01.03.20
Drawn By	Ryan J. Gallow
Checked By	Checker
A-7	
Scale	

11/14/2020 9:37:28 AM