

FUME HOODS



PRODUCT CATALOG

LABORATORY EXTRACTION SYSTEMS
SPECIALTY HOODS
BASE FRAMES & CABINETS
STAINLESS STEEL WORK SURFACES
PLUMBING & ELECTRICAL ACCESSORIES

WWW.LABSCAPE.COM

CATALOG

CONTENTS

STANDARD HOODS

- 4 HP SERIES
HIGH PERFORMANCE // ENERGY EFFICIENT HOOD
- 6 SWS SERIES
SOLUTION WORK STATION
- 8 100 SERIES
AIRFOIL FUME HOOD
- 10 200 SERIES
DOUBLE SIDED // 100 SERIES HOOD
- 12 300 SERIES
THIN WALL FUME HOOD
- 14 400 SERIES
WALK IN HOOD
- 16 500 SERIES
ADA HOOD // BARRIER-FREE DESIGN
- 18 600 SERIES
RADIO ISOTOPE HOOD
- 20 700 SERIES
PERCHLORIC ACID HOOD
- 22 800 SERIES
FLAT FRONT HOOD
- 24 900 SERIES
DEMONSTRATION HOOD

SPECIALTY HOODS

Spray Booth	26
Portable Hoods	28
Canopy Hoods	29
Updraft & Downdraft Hoods	30

OPTIONS & ACCESSORIES

Ceiling Enclosures & Finished Backs	31
Plumbing Fixtures	32
Electrical Fixtures & Specifications	33
Base Cabinets	34
Safety Storage Cabinets	35
Sash Options	36
Epoxy Resin & Stainless Steel Surfaces	37
Custom Stainless Steel Countertops	38
Knock Down Hoods	39

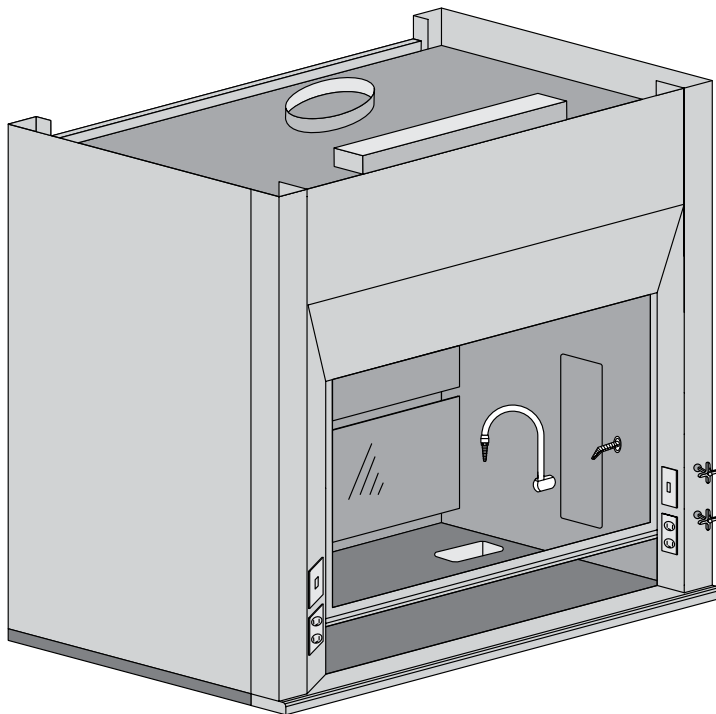
DESIGN & REFERENCE GUIDES

General Design Requirements	40
Glossary of Terms	43
Color Chart	45

LABSCAPE // HP SERIES

HIGH PERFORMANCE - ENERGY EFFICIENT HOOD

4



THE PERFECT HOOD FOR REMODELING, NEW CONSTRUCTION AND RETROFITTING.

The High Performance, energy efficient hood, comes standard with all the same features as other Labscape models, along with some additional innovations to set this hood apart from its competitors.

The HP model is designed to operate economically while creating a safe work environment without compromising containment. By operating at 60 FPM, air flow across the sash opening results in a 40% savings in fume hood operation costs.

The HP hood was designed to do all this and still fit on a standard-depth countertop and cabinet. This means no disassembly and reassembly during the installation process. The HP hood fits through a standard door opening, making this hood the choice for renovation or new construction.

- > Passed ASHRAE 110 AM testing with sash in full open position.
- > Standard 30" deep work surface for zero work space loss in your lab. Other depths available.

STANDARD FEATURES

U.L. 1805 CLASSIFIED

60 FPM

FITS THROUGH STANDARD DOOR

30" COUNTERTOP

POWDER COAT FINISH

FULL FRAME CONSTRUCTION

SHAFT DRIVE SASH

U.L. LISTED POLY RESIN LINER

FLUSH-MOUNT AIRFOIL

KNOCK DOWN CAPABILITY

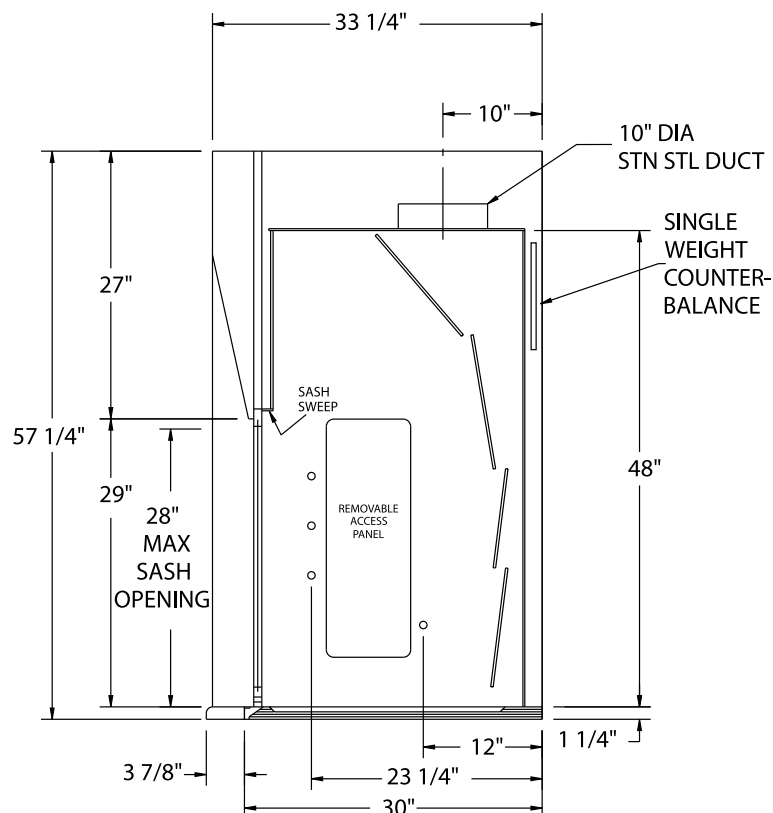
T-8 FLUORESCENT LIGHT WITH BULBS

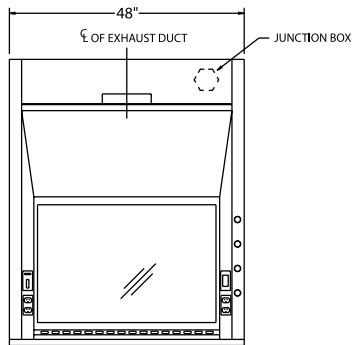
FULL-LENGTH FINGER LIFT

SASH SWEEP

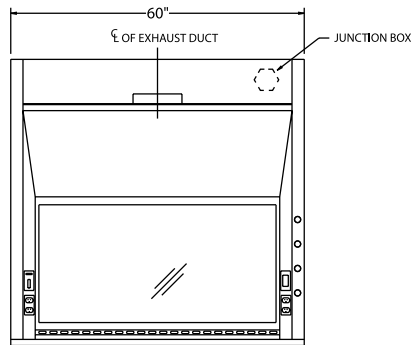
25.5" INTERIOR WORKING DEPTH

LED LIGHT AVAILABLE

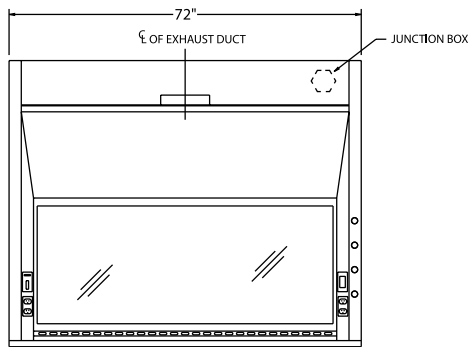




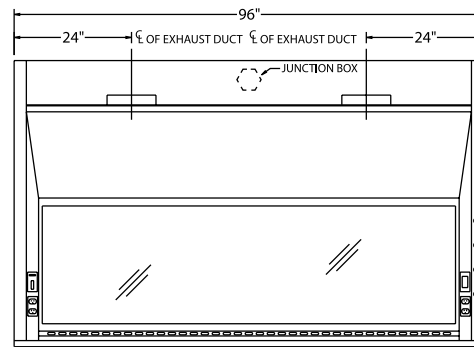
LS-HP-48



LS-HP-60



LS-HP-72



LS-HP-96

Part Number	Superstructure			Worktop			Hood Opening		CFM @ 28"*	CFM @ 18"*	SP	Blower Model #	Shipping Weight
	W	H	D	W	H	D	W	H					
LS-HP-48	48"	56"	33-1/4"	48"	1-1/4"	30"	38"	28"	469	313	.25	BL-HP-48	415
LS-HP-60	60"	56"	33-1/4"	60"	1-1/4"	30"	50"	28"	619	413	.34	BL-HP-60	490
LS-HP-72	72"	56"	33-1/4"	72"	1-1/4"	30"	62"	28"	769	513	.34	BL-HP-72	535
LS-HP-96	96"	56"	33-1/4"	96"	1-1/4"	30"	86"	28"	1069	713	.34	BL-HP-96	570

* HEIGHT OF OPEN SASH // CFM CALCULATED AT 60 FPM. FOR HIGH PERFORMANCE VAV HOODS // ADD -VAV TO THE PART NUMBER.

OPTIONAL ACCESSORIES

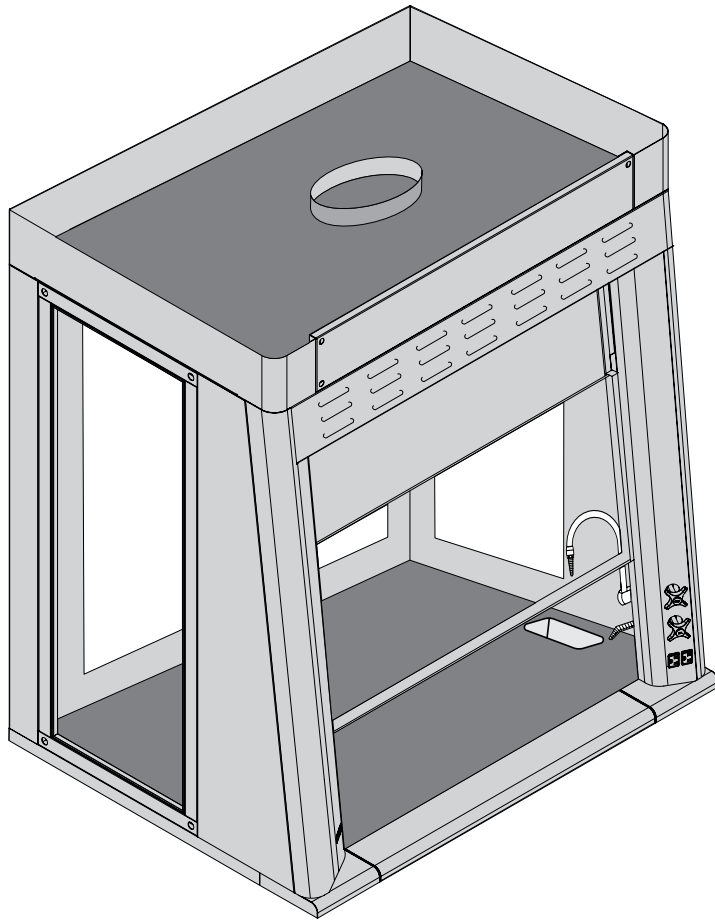
ITEM	PART #	PAGE
Ceiling Enclosures	CE	31
Plumbing Accessories		32
Electrical Accessories		33
Epoxy Tops	ET	37
Alarms	ALARM	
Base Cabinets	BC	34
Blowers	BL	
Pre-Plumbing	PREP	

ITEM	PART #	PAGE
Sash Stops	SASHSTOP	36
Chain and Sprocket Drive	CHNSPK	
Stainless Steel Sash	SS SASH	36
Stainless Steel Airfoil	SS AF	
Push Button Sash	PUSH BUTTON	36
Combination Sash	H&V	36
Lattice Assembly	LATTICE	
Auto Sash Return		36

LABSCAPE // SWS SERIES

SOLUTION WORK STATION

6



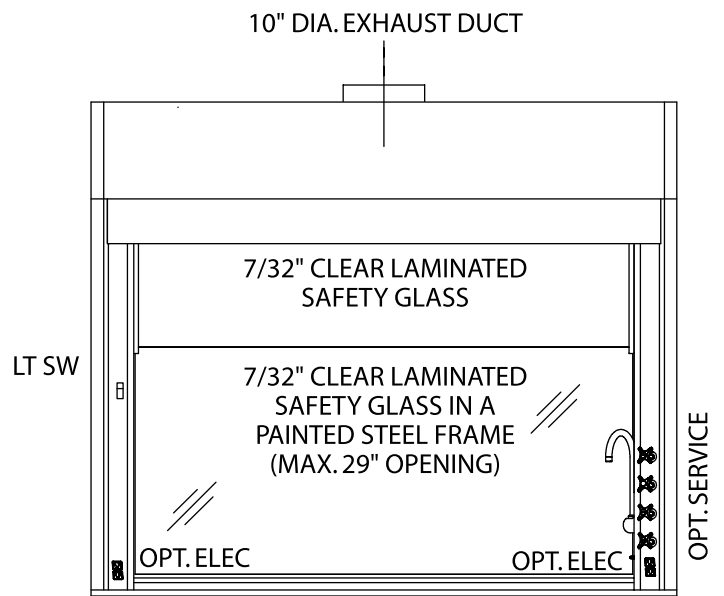
VIEW EVERYTHING.

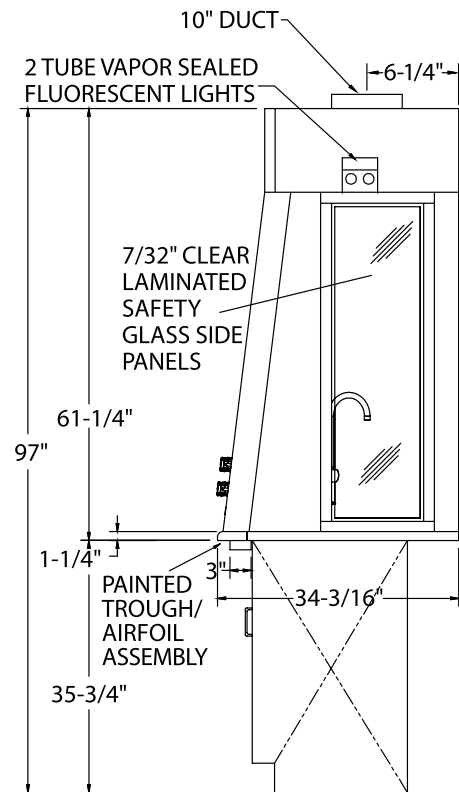
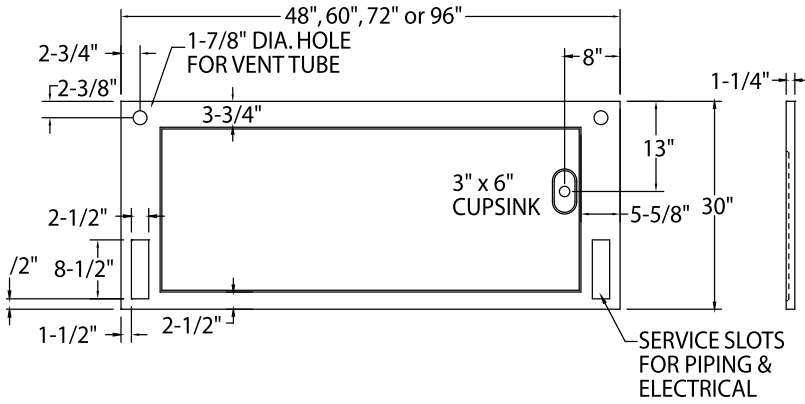
The Solution Work Station was designed to allow 360 degree viewing for undergraduate teaching labs. With the absence of counterweights and baffles, the SWS maximizes ambient light throughout the hood. In addition, this hood has the flexibility necessary to allow back-to-back or side-by-side configurations.

STANDARD FEATURES

U.L.1805 CLASSIFIED

- POWDER COAT FINISH
- FULL FRAME CONSTRUCTION
- CONSTANT FORCE SASH COUNTERBALANCE
- T-8 FLUORESCENT LIGHT WITH BULBS
- FLUSH-MOUNT AIRFOIL
- FULL-LENGTH FINGER LIFT
- LOUVERED FRONT FOR BY-PASS
- 10" ROUND S/S DUCT COLLAR





Part Number	Superstructure			Worktop			Hood Opening		CFM @ 100LFM	SP at Hood**	10" Duct Size	Shipping Weight
	W	H	D	W	H	D	W	H				
SWS-480	48"	60"	34-3/16"	48"	1-1/4"	30"	37-1/2"	29"	770	.25"	10"	424
DWS-480	48"	60"	68-3/8"	48"	1-1/4"	60"	37-1/2"	29"	770	.25"	2 - 10"	848
SWS-600	60"	60"	34-3/16"	60"	1-1/4"	30"	49-1/2"	29"	1000	.33"	10"	496
DWS-600	60"	60"	68-3/8"	60"	1-1/4"	60"	49-1/2"	29"	1000	.33"	2 - 10"	992
SWS-720	72"	60"	34-3/16"	72"	1-1/4"	30"	61-1/2"	29"	1250	.5"	10"	578
DWS-720	72"	60"	68-3/8"	72"	1-1/4"	60"	61-1/2"	29"	1250	.5"	2 - 10"	1156

SWS = SINGLE SIDED WORK STATION DWS = DOUBLE SIDED WORK STATION // ORDER TWO SINGLE SIDED HOODS AND FACE THEM BACK TO BACK
 *HVAC WILL HAVE TO "WYE" DOUBLE SIDED HOOD DUCT. FOR VAV HOODS // ADD -VAV TO THE PART NUMBER.

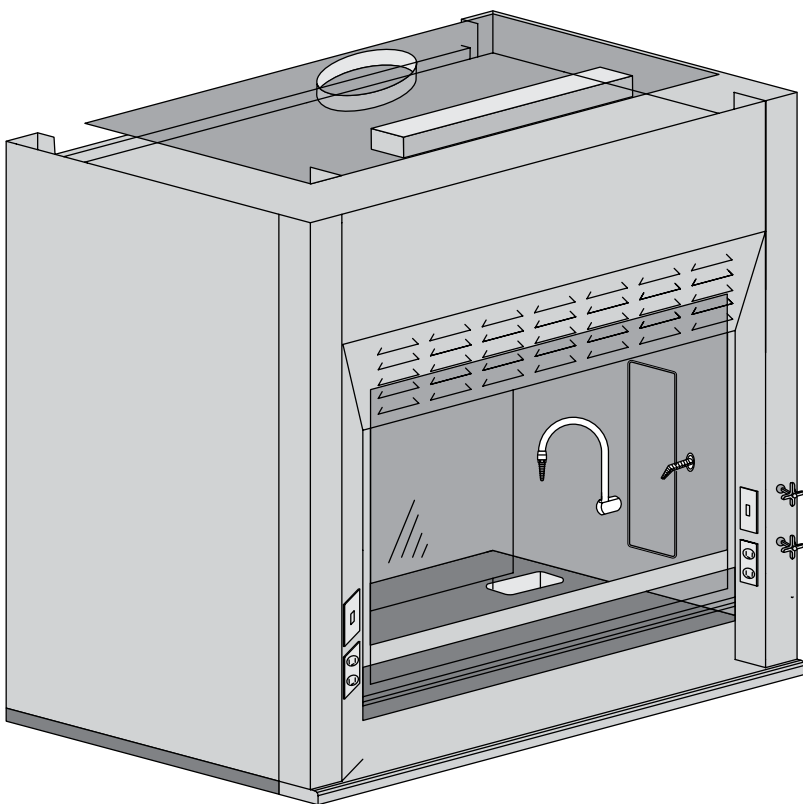
OPTIONAL ACCESSORIES

ITEM	PT#	PAGE
Plumbing Accessories		32
Base Cabinets		34

LABSCAPE // 100 SERIES

AIRFOIL FUMEHOOD

8



MINIMIZED TURBULENCE, INCREASED PERFORMANCE.

The LS-100 Series Airfoil Fume Hood features a 45-degree angle around the fascia and a flush-mount radiused airfoil across the bottom, which results in minimized turbulence and increased performance.

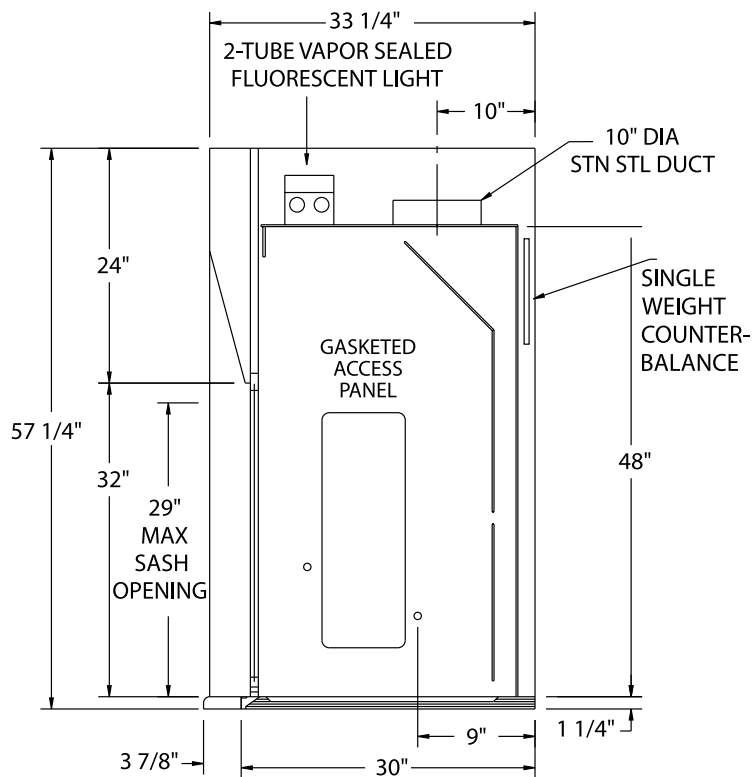
Like the exterior of the hood, the airfoil is made from chemical-resistant, powder-coated, 16-gauge cold rolled steel. Stainless steel is available as an option.

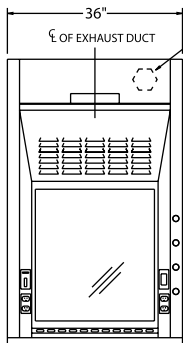
Posts are 5" wide. Five standard sizes offer design flexibility, or we'll customize to your specific needs.

STANDARD FEATURES

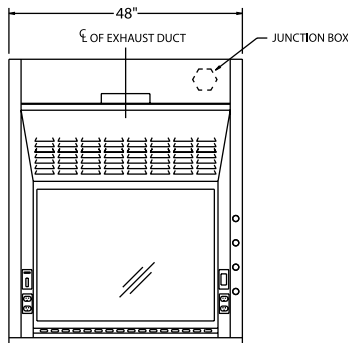
U.L. 1805 CLASSIFIED

- POWDER COAT FINISH
- FULL FRAME CONSTRUCTION
- SHAFT DRIVE SASH
- U.L. LISTED POLY RESIN LINER
- T-8 FLUORESCENT LIGHT WITH BULBS
- FLUSH-MOUNT AIRFOIL
- KNOCK DOWN CAPABILITY
- FULL-LENGTH FINGER LIFT
- LOUVERED FRONT FOR BY-PASS
- 10" ROUND S/S DUCT COLLAR

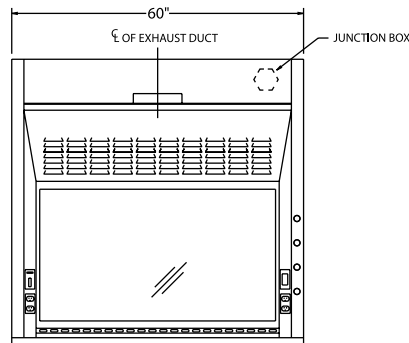




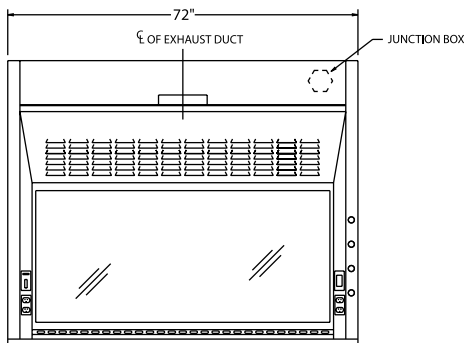
LS-111-36



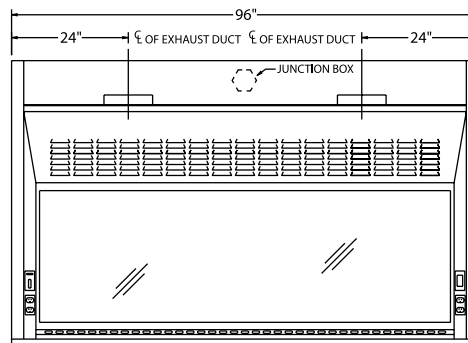
LS-111-48



LS-111-60



LS-111-72



LS-111-96

Part Number	Superstructure			Worktop			Hood Opening		CFM @ 29"*	CFM @ 18"*	SP	Blower Model #	Shipping Weight
	W	H	D	W	H	D	W	H					
LS-111-36	36"	56"	33-1/4"	36"	1-1/4"	30"	26"	29"	567	354	.25	BL-100-36	320
LS-111-48	48"	56"	33-1/4"	48"	1-1/4"	30"	38"	29"	833	521	.25	BL-100-48	385
LS-111-60	60"	56"	33-1/4"	60"	1-1/4"	30"	50"	29"	1100	688	.34	BL-100-60	450
LS-111-72	72"	56"	33-1/4"	72"	1-1/4"	30"	62"	29"	1367	854	.34	BL-100-72	510
LS-111-96	96"	56"	33-1/4"	96"	1-1/4"	30"	86"	29"	1900	1188	.40	BL-100-96	630

*HEIGHT OF OPEN SASH // CFM CALCULATED AT 100 FPM. FOR VAV HOODS // ADD -VAV TO THE PART NUMBER. ADDITIONAL DEPTHS AVAILABLE. USE SUFFIX -39D FOR 39.25".

OPTIONAL ACCESSORIES

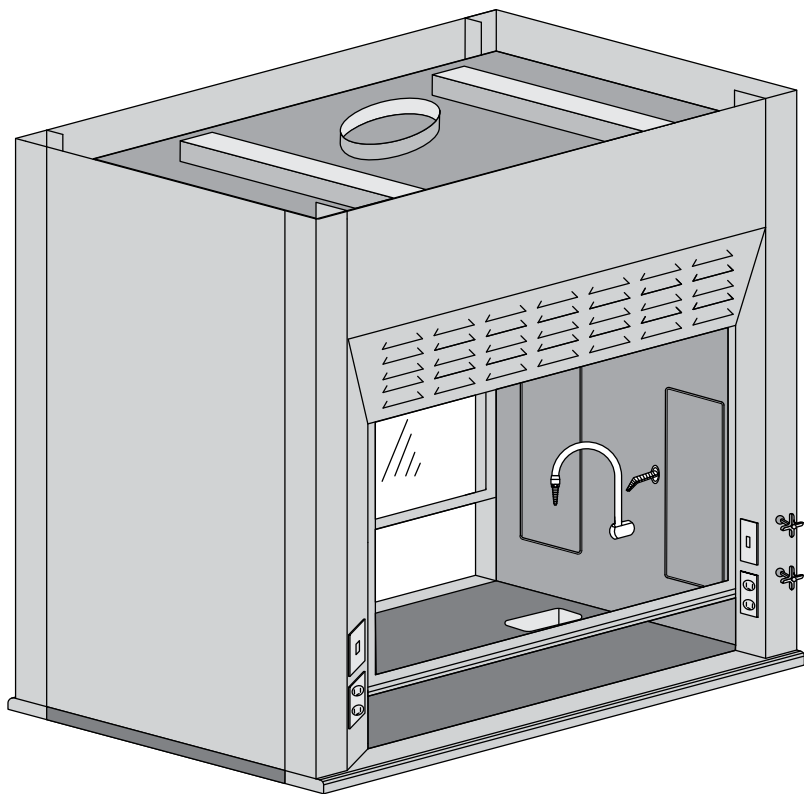
ITEM	PT#	PAGE
Ceiling Enclosures	CE	31
Plumbing Accessories		32
Electrical Accessories		33
Epoxy Tops	ET	37
Alarms	ALARM	
Base Cabinets	BC	34
Blowers	BL	
Pre-Plumbing	PREP	
Pre-Wiring	PREW	

ITEM	PT#	PAGE
Sash Stops	SASHSTOP	36
Chain and Sprocket Drive	CHNSPK	
Stainless Steel Sash	SS SASH	36
Stainless Steel Airfoil	SS AF	
Push Button Sash	PUSH BUTTON	36
Combination Sash	H&V	36
Automatic Sash Return	AUTO RETURN	36
Lattice Assembly	LATTICE	

LABSCAPE // 200 SERIES

DOUBLE SIDED 100 SERIES

10



DUAL ACCESS.

The 200 Series provides the same aerodynamic design features as the LS-100 Airfoil Hood Series, with entrance from two sides. This makes it ideal for use in classroom or prep room settings or whenever demonstration of experiments is desired.

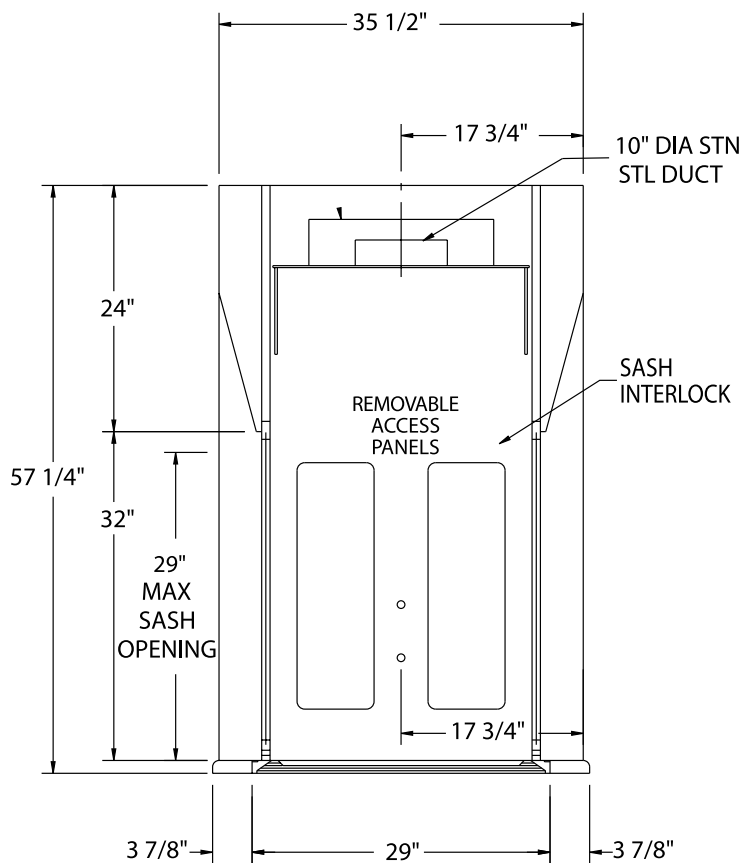
A 45-degree angle around the fascia and a flush-mount radiused airfoil across the bottom provide minimized turbulence and increased performance.

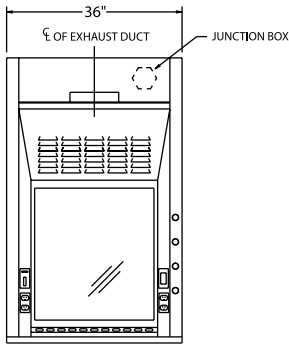
The LS-200 features standard 5" posts to allow for electrical and remote control plumbing services on both sides, and these can be configured to your exact specifications. Five standard sizes and an array of options make this one of the most flexible fume hoods available anywhere.

STANDARD FEATURES

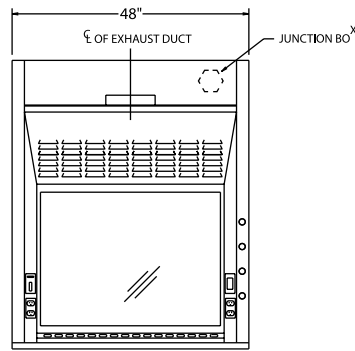
U.L. 1805 CLASSIFIED

- POWDER COAT FINISH
- FULL FRAME CONSTRUCTION
- U.L. LISTED POLY RESIN LINER
- T-8 FLUORESCENT LIGHT WITH BULBS
- FLUSH-MOUNT AIRFOIL
- KNOCK DOWN CAPABILITY
- FULL-LENGTH FINGER LIFT
- LOUVERED FRONT FOR BY-PASS
- SASH INTERLOCK

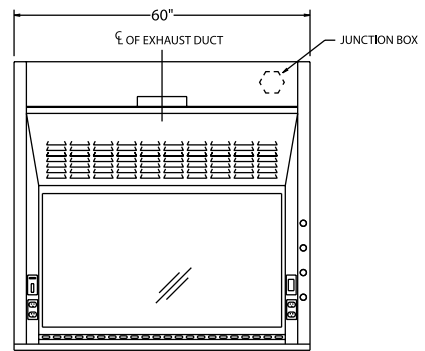




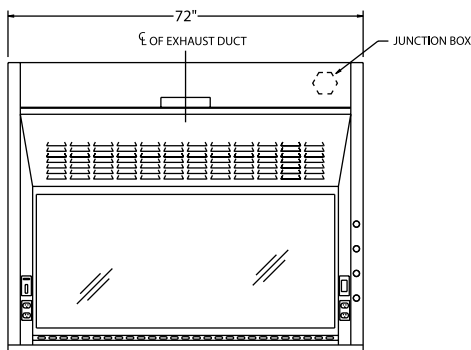
LS-211-36



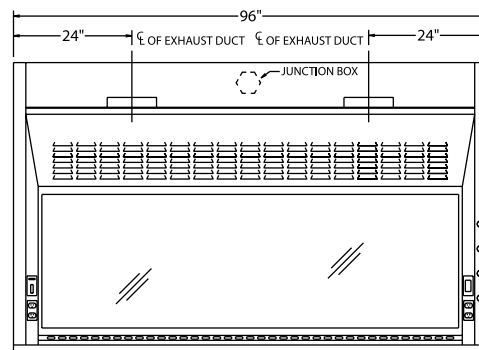
LS-211-48



LS-211-60



LS-211-72



LS-211-96

Part Number	Superstructure			Worktop			Hood Opening		CFM @ 29"*	CFM @ 18"*	SP	Blower Model #	Shipping Weight
	W	H	D	W	H	D	W	H					
LS-211-36	36"	56"	35-1/2"	36"	1-1/4"	29"	26"	29"	567	354	.25	BL-100-36	400
LS-211-48	48"	56"	35-1/2"	48"	1-1/4"	29"	38"	29"	833	521	.33	BL-100-48	450
LS-211-60	60"	56"	35-1/2"	60"	1-1/4"	29"	50"	29"	1100	688	.34	BL-100-60	500
LS-211-72	72"	56"	35-1/2"	72"	1-1/4"	29"	62"	29"	1367	854	.34	BL-100-72	550
LS-211-96	96"	56"	35-1/2"	96"	1-1/4"	29"	86"	29"	1900	1188	.40	BL-100-96	650

* HEIGHT OF OPEN SASH // CFM CALCULATED AT 100 FPM WITH ONE SASH OPEN.

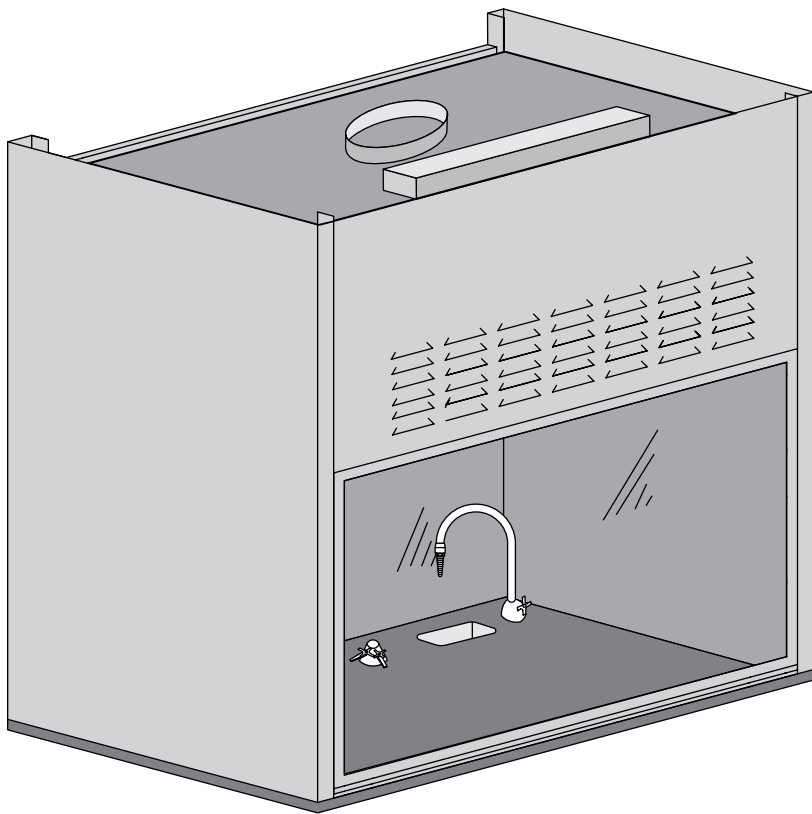
OPTIONAL ACCESSORIES

ITEM	PT#	PAGE
Ceiling Enclosures	CE	31
Plumbing Accessories		32
Electrical Accessories		33
Epoxy Tops	ET	37
Alarms	ALARM	
Base Cabinets	BC	34
Blowers	BL	
Pre-Plumbing	PREP	

ITEM	PT#	PAGE
Pre-Wiring	PREW	
Sash Stops	SASHSTOP	36
Stainless Steel Sash	SS SASH	36
Stainless Steel Airfoil	SS AF	
Push Button Sash	PUSH BUTTON	36
Combination Sash	H&V	36
Automatic Sash Return	AUTO RETURN	36
Lattice Assembly	LATTICE	

LABSCAPE // 300 SERIES

THIN WALL FUME HOOD



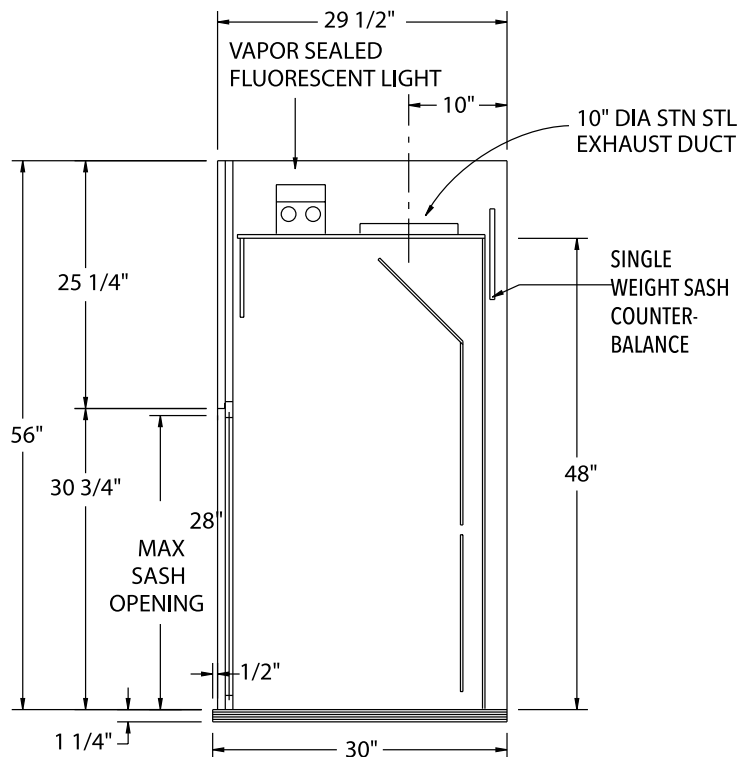
EXPANDED WORKSPACE.

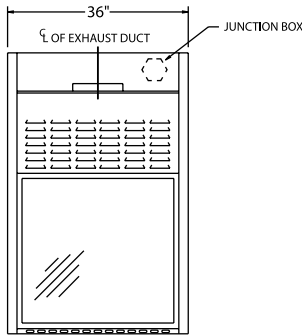
The 300 Series is a Thin Wall Fume Hood with slimmer front posts to expand the workspace. Posts are 2-1/2" wide. Because the slimmer posts remove the option for wiring and plumbing in the posts, plumbing services must be deck mounted. Optional light and blower switches can be mounted on the post.

Five standard widths with unlimited heights and depths are available, making this one of the most flexible fume hoods available anywhere.

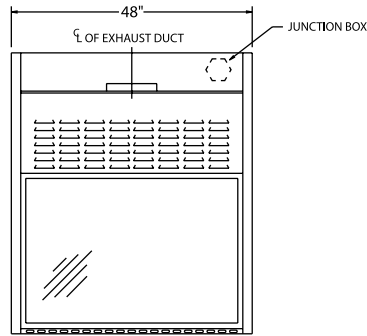
STANDARD FEATURES

- U.L. 1805 CLASSIFIED
- POWDER COAT FINISH
- FULL FRAME CONSTRUCTION
- SHAFT DRIVE SASH
- U.L. LISTED POLY RESIN LINER
- T-8 FLUORESCENT LIGHT WITH BULBS
- KNOCK DOWN CAPABILITY
- FULL-LENGTH FINGER LIFT
- LOUVERED FRONT FOR BY-PASS

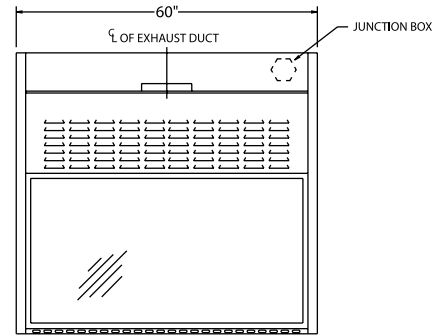




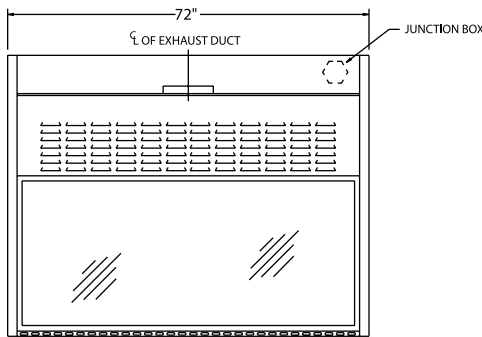
LS-311-36



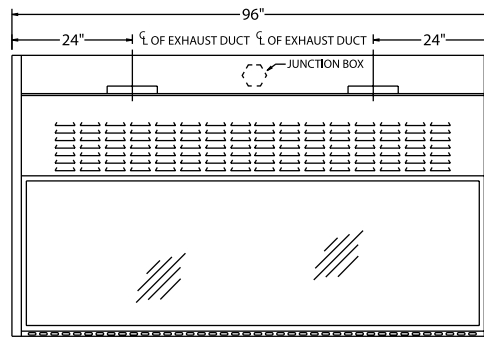
LS-311-48



LS-311-60



LS-311-72



LS-311-96

Part Number	Superstructure			Worktop			Hood Opening		CFM @ 28"*	CFM @ 18"*	SP	Blower Model #	Shipping Weight
	W	H	D	W	H	D	W	H					
LS-311-36	36"	56"	29-1/2"	36"	1-1/4"	30"	26"	28"	646	431	.25	BL-300-36	190
LS-311-48	48"	56"	29-1/2"	48"	1-1/4"	30"	43"	28"	896	597	.25	BL-300-48	175
LS-311-60	60"	56"	29-1/2"	60"	1-1/4"	30"	55"	28"	1146	764	.39	BL-300-60	200
LS-311-72	72"	56"	29-1/2"	72"	1-1/4"	30"	67"	28"	1417	944	.37	BL-300-72	250
LS-311-96	96"	56"	29-1/2"	96"	1-1/4"	30"	91"	28"	1896	1264	.43	BL-300-96	275

*HEIGHT OF OPEN SASH // CFM CALCULATED AT 100 FPM. ADDITIONAL DEPTHS AVAILABLE. USE SUFFIX -39D FOR 39.25".

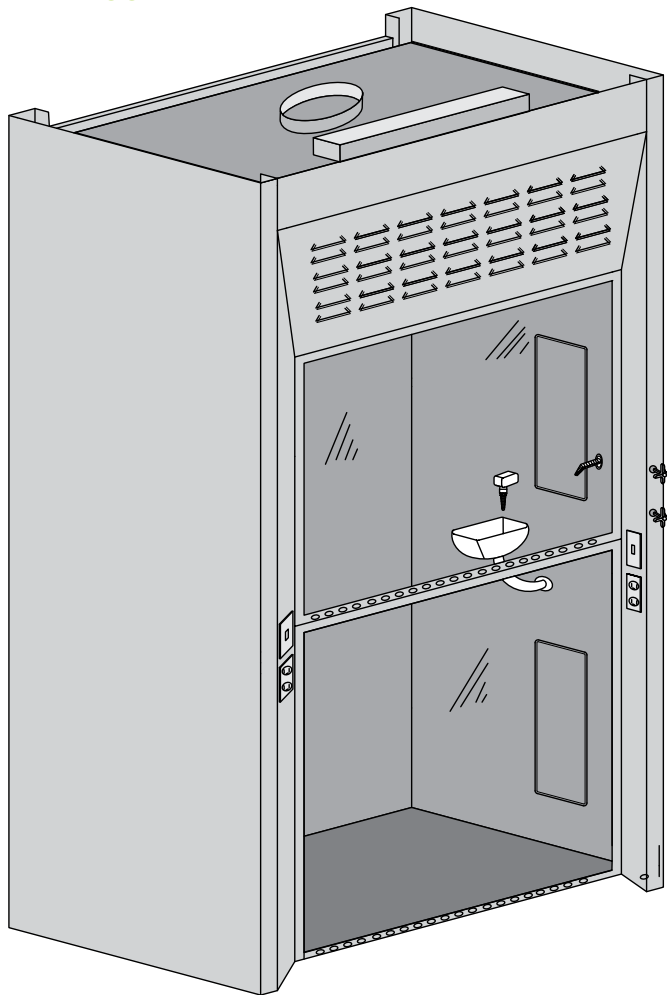
OPTIONAL ACCESSORIES

ITEM	PT#	PAGE
Ceiling Enclosures	CE	31
Plumbing Accessories		32
Electrical Accessories		33
Epoxy Tops	ET	37
Alarms	ALARM	
Base Cabinets	BC	34
Blowers	BL	

ITEM	PT#	PAGE
Sash Stops	SASHSTOP	36
Chain and Sprocket Drive	CHNSPK	
Stainless Steel Sash	SS SASH	36
Combination Sash	H&V	36
Automatic Sash Return	AUTO RETURN	36
Lattice Assembly	LATTICE	

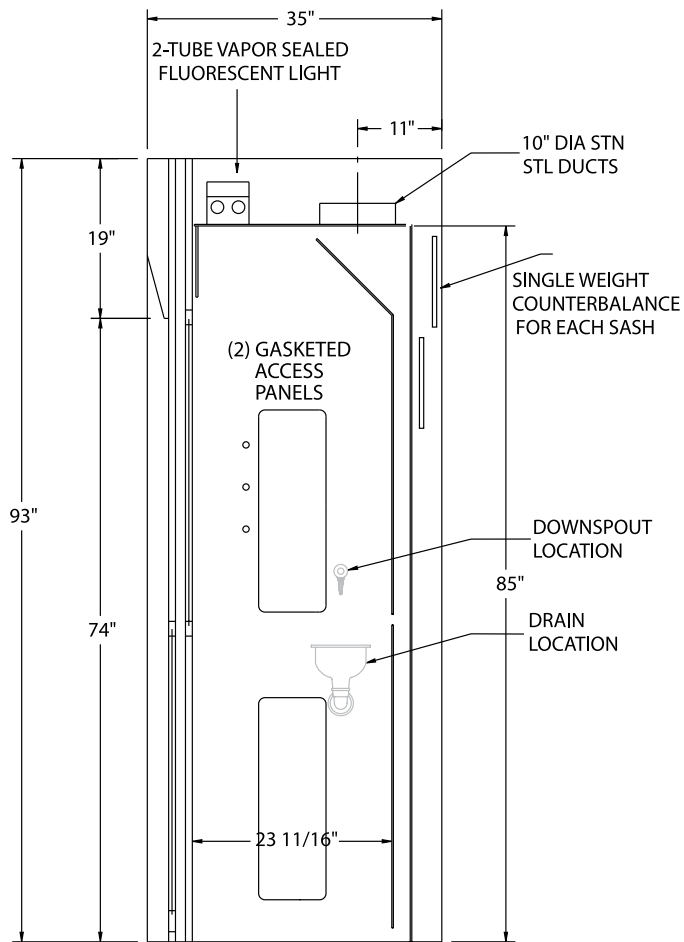
LABSCAPE // 400 SERIES

WALK IN HOOD



FOR THOSE TALL EXPERIMENTS.

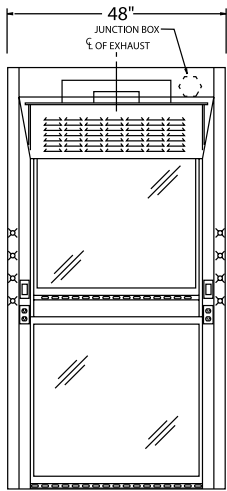
The 400 Series, with a double-hung sash configuration and 72" high opening, is designed to accommodate a large-apparatus application, up to 85" in height. Posts are 5" wide. Many heights and depths are available. Contact Labscape to find the right size hood for your application.



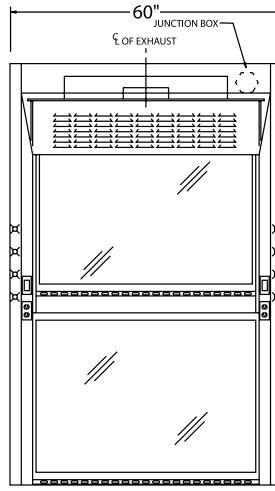
STANDARD FEATURES

U.L. 1805 CLASSIFIED

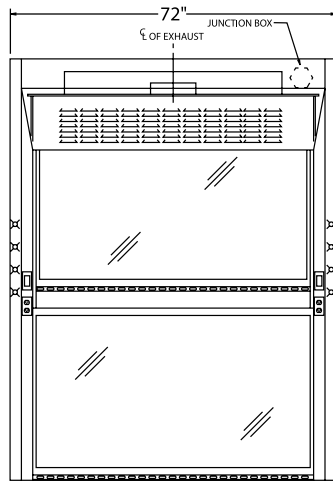
- POWDER COAT FINISH
- FULL FRAME CONSTRUCTION
- SHAFT DRIVE SASH
- U.L. LISTED POLY RESIN LINER
- T-8 FLUORESCENT LIGHT WITH BULBS
- KNOCK DOWN CAPABILITY
- FULL-LENGTH FINGER LIFT
- LOUVERED FRONT FOR BY-PASS



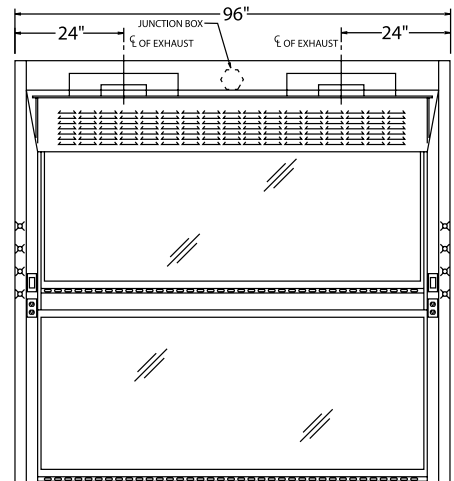
LS-411-48



LS-411-60



LS-411-72



LS-411-96

Part Number	Superstructure			Hood Opening		CFM @ 36"*	CFM @ 72"*	SP	Blower Model #	Approx. Shipping Weight
	W	H	D	W	H					
LS-411-48	48"	93"	35"	38"	72"	990	1979	.25	BL-400-48	560
LS-411-60	60"	93"	35"	50"	72"	1306	2613	.34	BL-400-60	675
LS-411-72	72"	93"	35"	62"	72"	1623	3246	.34	BL-400-72	790
LS-411-96	96"	93"	35"	86"	72"	2256	4513	.34	BL-400-96	1025

*HEIGHT OF OPEN SASH // CFM CALCULATED AT 100 FPM. FOR VAV HOODS // ADD -VAV TO THE PART NUMBER. MANY CUSTOM SIZES AVAILABLE.

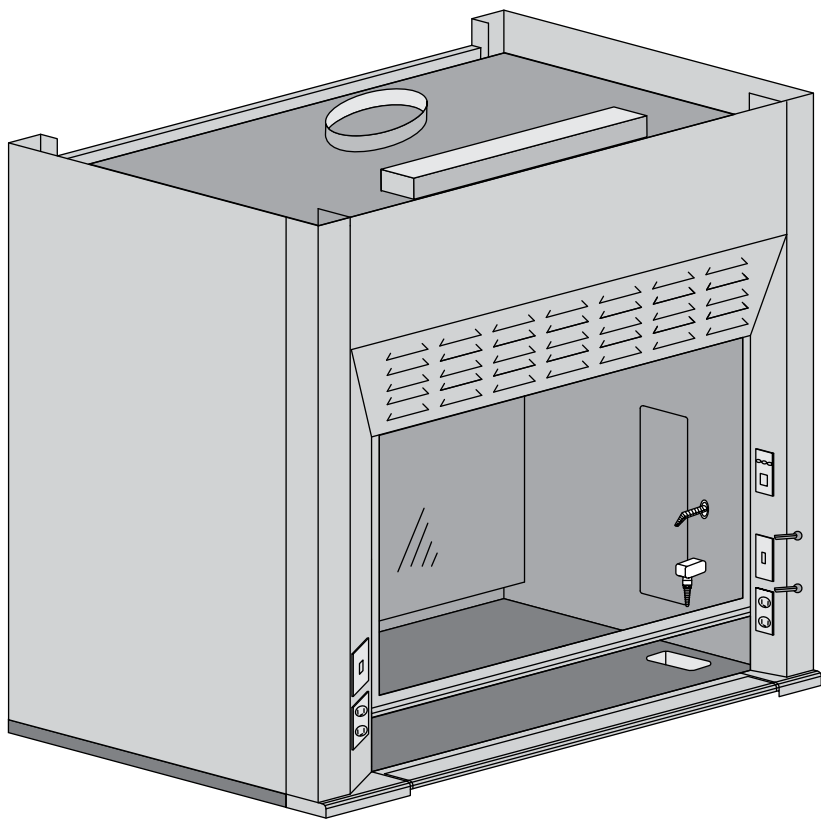
OPTIONAL ACCESSORIES

ITEM	PT#	PAGE
Ceiling Enclosures	CE	31
Plumbing Accessories		32
Electrical Accessories		33
Alarms	ALARM	
Blowers	BL	
Pre-Plumbing	PREP	
Pre-Wiring	PREW	

ITEM	PT#	PAGE
Sash Stops	SASHSTOP	36
Chain and Sprocket Drive	CHNSPK	
Stainless Steel Sash	SS SASH	36
Horizontal Hanging Doors	HHD	36
Combination Sash	H&V	36
Lattice Assembly	LATTICE	
SS Ramp	RAMP	

LABSCAPE // 500 SERIES

ADA FUME HOOD



MEETS ADA DIMENSIONAL GUIDELINES.

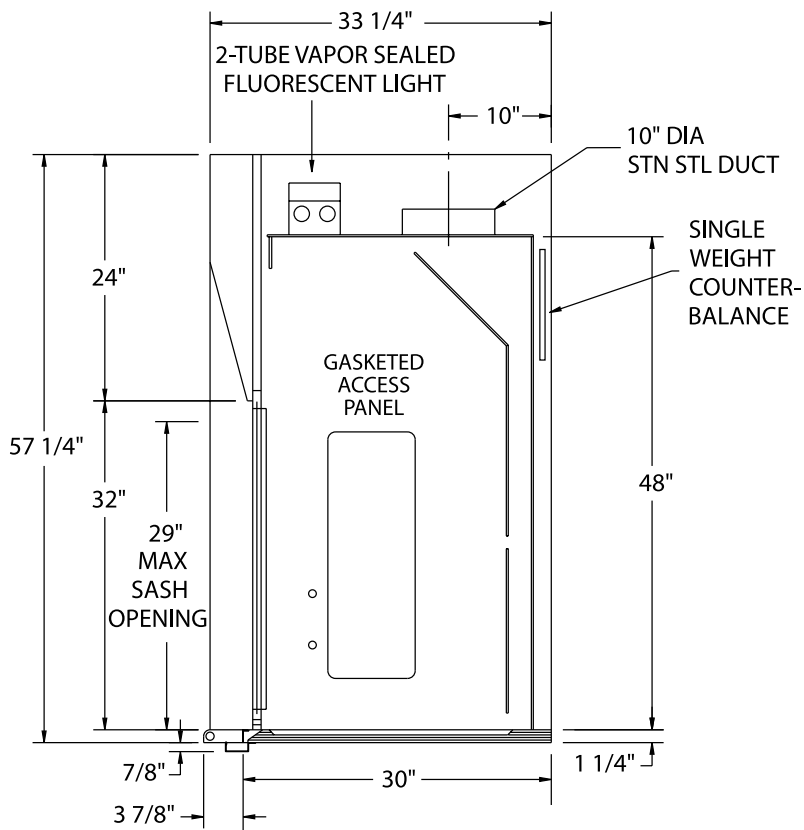
The 500 Series is an airfoil-type fume hood designed to meet ADA dimensional guidelines. A 45-degree angle around the fascia and a flush-mount radiused airfoil across the bottom result in minimized turbulence and increased performance.

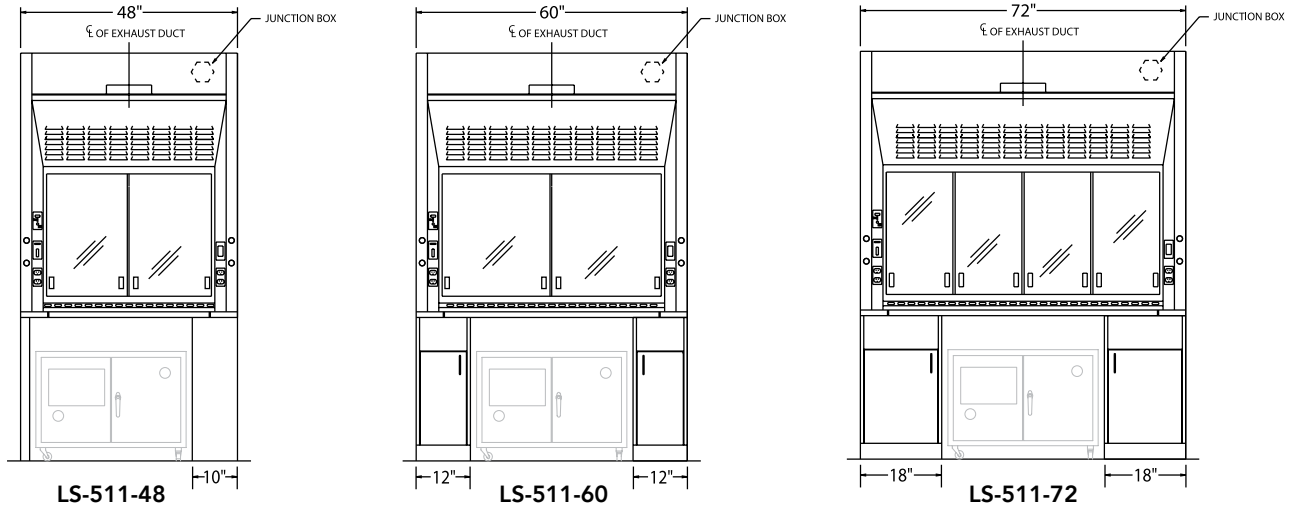
The ADA hood's airfoil flips back out of the way for cleanup. Under the airfoil is a containment trough to capture accidental spills that may flow over the dished work surface. The trough assembly is fabricated from chemical-resistant 16-gauge cold rolled steel.

ADA kneespace-configured base cabinets are available. See page 53 for cabinet options.

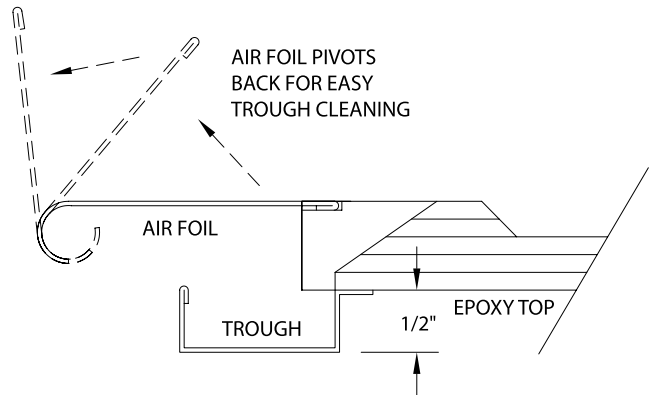
> CABINET OPTIONS
SEE PAGES 34-35

- STANDARD FEATURES**
- U.L. 1805 CLASSIFIED
 - POWDER COAT FINISH
 - FULL FRAME CONSTRUCTION
 - SHAFT DRIVE SASH
 - U.L. LISTED POLY RESIN LINER
 - T-8 FLUORESCENT LIGHT WITH BULBS
 - KNOCK DOWN CAPABILITY
 - FULL-LENGTH FINGER LIFT
 - LOUVERED FRONT FOR BY-PASS
 - PAINTED STEEL TROUGH ASSEMBLY
 - SASH STOP
 - 1/4 TURN BALL VALVES





** OPTIONAL COMBINATION SASHES SHOWN IN DRAWINGS. BASE FRAMES AND CABINETS SOLD SEPARATELY. SEE PAGE 33.



Part Number	Superstructure			Worktop			Hood Opening		CFM @ 29"*	CFM @ 18"*	SP	Blower Model #	Shipping Weight
	W	H	D	W	H	D	W	H					
LS-511-48	48"	56"	33-1/4"	48"	1-1/4"	30"	38"	29"	833	521	.25	BL-500-48	395
LS-511-60	60"	56"	33-1/4"	60"	1-1/4"	30"	50"	29"	1100	688	.34	BL-500-60	450
LS-511-72	72"	56"	33-1/4"	72"	1-1/4"	30"	62"	29"	1367	854	.34	BL-500-72	525

* HEIGHT OF OPEN SASH // CFM CALCULATED AT 100 FPM. FOR VAV HOODS // ADD -VAV TO THE PART NUMBER.

OPTIONAL ACCESSORIES

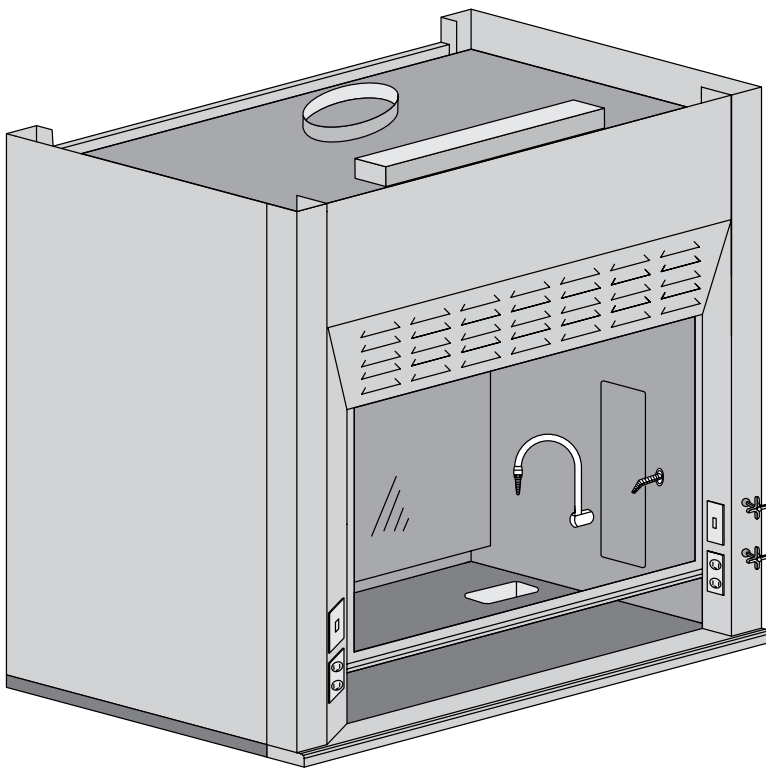
ITEM	PT#	PAGE
Ceiling Enclosures	CE	31
Plumbing Accessories		32
Electrical Accessories		33
Epoxy Tops	ET	37
Alarms	ALARM	
Base Cabinets	BC	34
Roll Out Base	ROB	
Blowers	BL	
Pre-Plumbing	PREP	

ITEM	PT#	PAGE
Pre-Wiring	PREW	
Chain and Sprocket Drive	CHNSPK	
Stainless Steel Sash	SS SASH	36
Stainless Steel Airfoil	SS AF	
Push Button Sash	PUSH BUTTON	36
Automatic Sash Return	AUTO RETURN	36
Lattice Assembly	LATTICE	
LED Lights	LED	
Base Frames and Cabinets		34

LABSCAPE // 600 SERIES

RADIO ISOTOPE HOOD

18



SAFE HANDLING OF RADIOCHEMICALS.

The 600 Radio Isotope Hood is specifically engineered to handle applications involving radiochemicals. It has the same aerodynamic design as the standard airfoil hood, with the added feature of a one-piece stainless steel liner and countertop with radius construction in order to prevent the absorption of radioactive and corrosive chemicals.

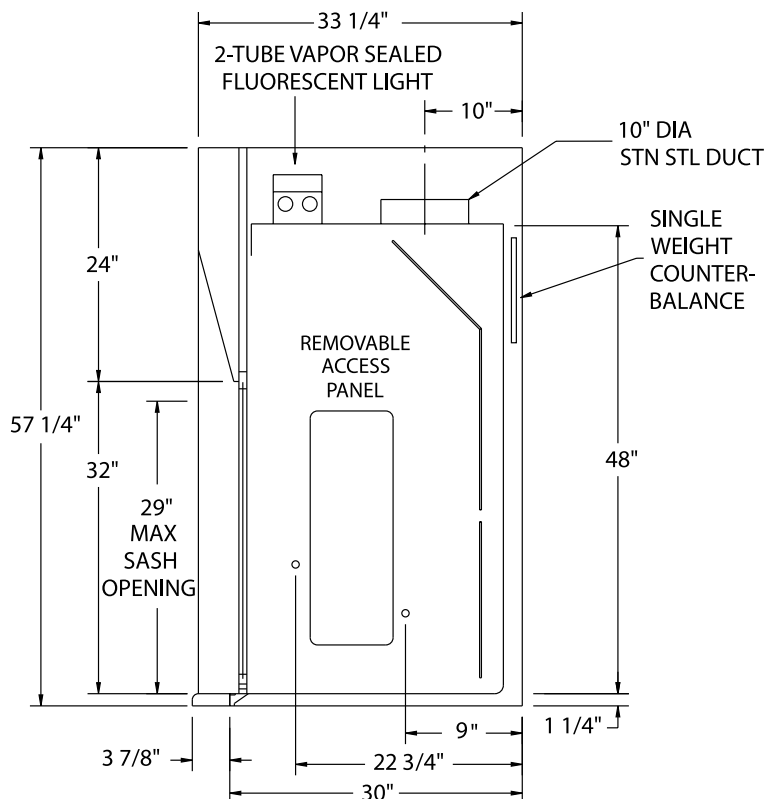
The interior of the hood and integral countertop are fabricated of 304 stainless steel, buffed and polished to a smooth #4 finish. This reduces the chance of chemical buildup and simplifies decontamination.

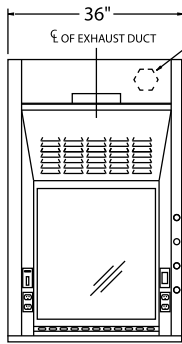
The flush-mount radiused airfoil is also type 304 stainless steel, as is the standard vertical rising sash. A combination sash is available as an option. Available in five sizes and with many optional accessories, the 600 Radio Isotope Hood will meet all design needs and all end user's application requirements.

U.L.1805 CLASSIFIED

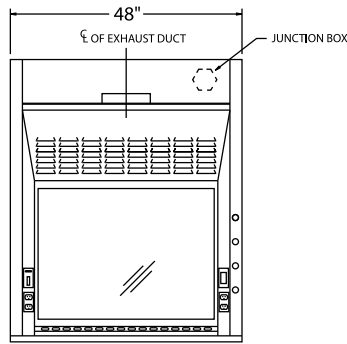
POWDER COAT FINISH
FULL FRAME CONSTRUCTION
SHAFT DRIVE SASH
T-8 FLUORESCENT LIGHT WITH BULBS
FLUSH-MOUNT AIRFOIL
INTERIOR ACCESS TO LIGHT
FULL-LENGTH FINGER LIFT
LOUVERED FRONT FOR BY-PASS
STAINLESS STEEL SASH
STAINLESS STEEL AIRFOIL
304 STAINLESS STEEL ONE-PIECE
INTEGRAL WORK SURFACE AND LINER

STANDARD FEATURES

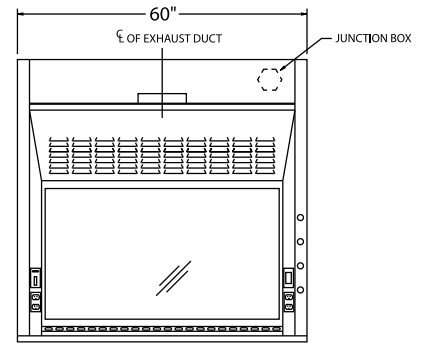




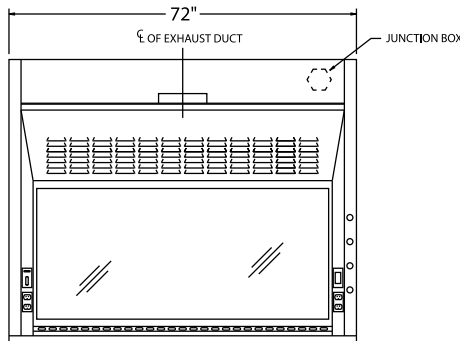
LS-613-36



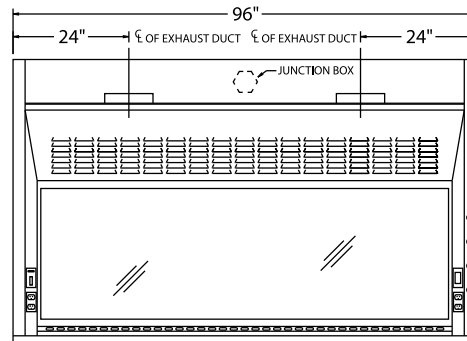
LS-613-48



LS-613-60



LS-613-72



LS-613-96

Part Number	Superstructure			Integral Worktop			Hood Opening		CFM @ 29"*	CFM @ 18"*	SP	Blower Model #	Shipping Weight
	W	H	D	W	H	D	W	H					
LS-613-36	36"	56"	33-1/4"	36"	1-1/4"	30"	26"	29"	567	354	.25	BL-600-36	190
LS-613-48	48"	56"	33-1/4"	48"	1-1/4"	30"	38"	29"	833	521	.25	BL-600-48	560
LS-613-60	60"	56"	33-1/4"	60"	1-1/4"	30"	50"	29"	1100	688	.34	BL-600-60	675
LS-613-72	72"	56"	33-1/4"	72"	1-1/4"	30"	62"	29"	1367	854	.34	BL-600-72	790
LS-613-96	96"	56"	33-1/4"	96"	1-1/4"	30"	86"	29"	1900	1188	.40	BL-600-96	1025

*HEIGHT OF OPEN SASH // CFM CALCULATED AT 100 FPM. FOR VAV HOODS // ADD -VAV TO THE PART NUMBER.

OPTIONAL ACCESSORIES

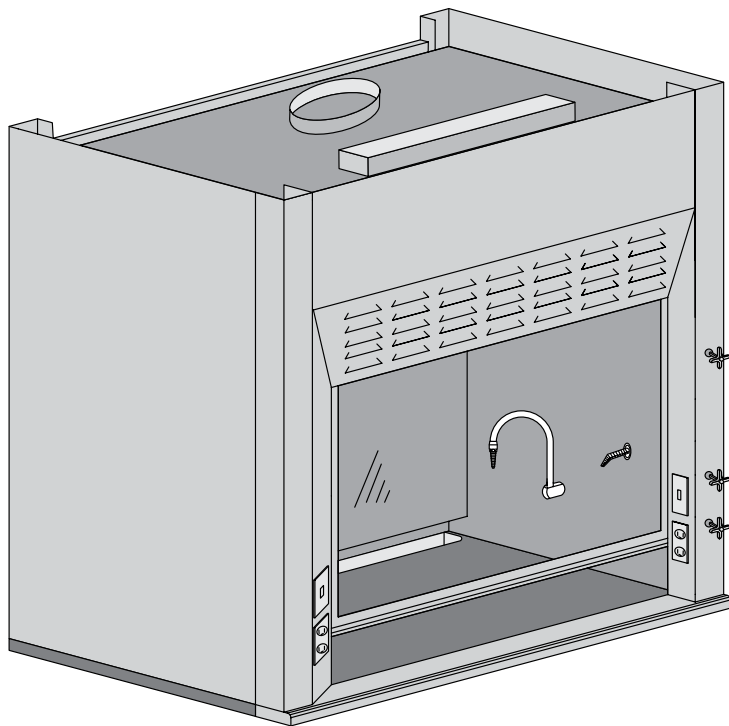
ITEM	PT#	PAGE
Ceiling Enclosures	CE	31
Plumbing Accessories		32
Electrical Accessories		33
Alarms	ALARM	
Base Cabinets	BC	34
Blowers	BL	
Pre-Plumbing	PREP	

ITEM	PT#	PAGE
Pre-Wiring	PREW	
Sash Stops	SASHSTOP	36
Chain and Sprocket Drive	CHNSPK	
Push Button Sash	PUSH BUTTON	36
Combination Sash	H&V	36
Automatic Sash Return	AUTO RETURN	36
Lattice Assembly	LATTICE	

LABSCAPE // 700 SERIES

PERCHLORIC ACID HOOD

20



SAFE HANDLING OF PERCHLORIC ACID.

The 700 Perchloric Acid Hood has the same aerodynamic design as the 100 series, with a 45-degree angle around the fascia and a flush-mount radiused airfoil across the bottom to minimize turbulence and provide increased performance.

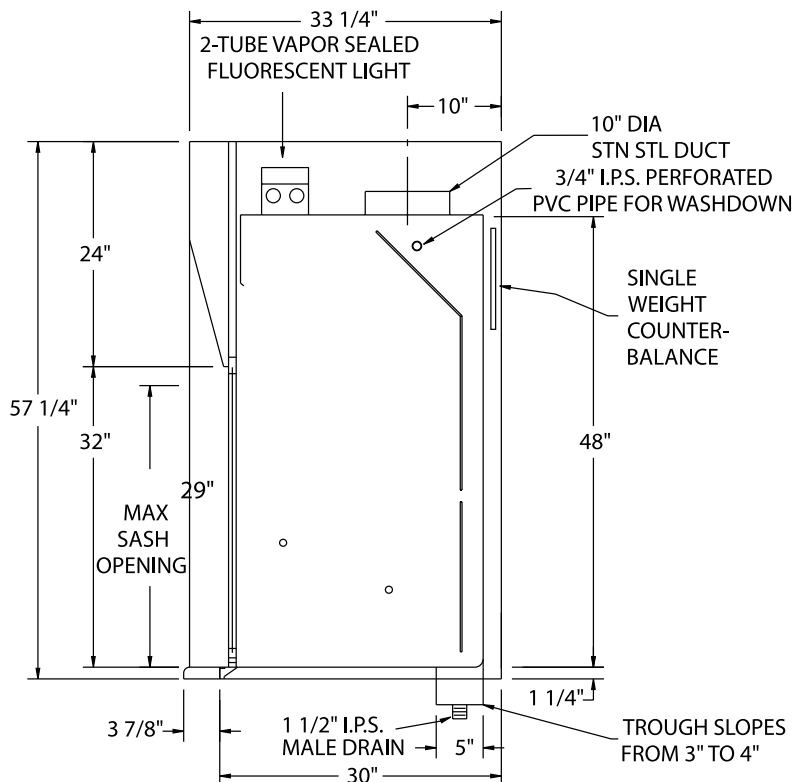
This hard-working hood also features a built-in trough to capture runoff in washdown procedures where perchloric acid is in use. In addition, there is a manual washdown feature for the areas behind the baffles as well as the duct-collar areas.

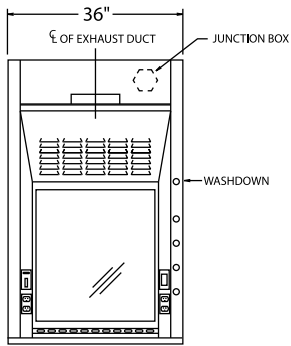
The interior is fabricated of type 316 stainless steel, integrally welded to a 316 stainless steel work surface, then buffed and polished to a #4 finish. The top is 1-1/4" with a 1/4" dish to retain spills. The airfoil and sash are also made of 316 stainless steel. The LS-700 is built tough to withstand the daily use of perchloric acid, while keeping the workplace safe.

U.L. 1805 CLASSIFIED

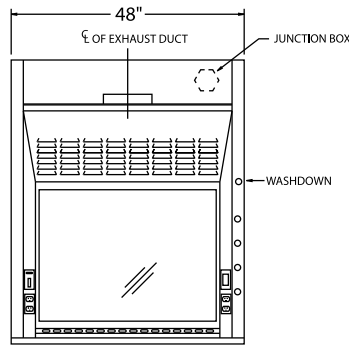
- POWDER COAT FINISH
- FULL FRAME CONSTRUCTION
- SHAFT DRIVE SASH
- T-8 FLUORESCENT LIGHT WITH BULBS
- FLUSH-MOUNT AIRFOIL
- INTERIOR ACCESS TO LIGHT
- FULL-LENGTH FINGER LIFT
- LOUVERED FRONT FOR BY-PASS
- BUILT-IN TROUGH
- MANUAL WASHDOWN
- STAINLESS STEEL SASH
- STAINLESS STEEL AIRFOIL
- 304 STAINLESS STEEL ONE-PIECE INTEGRAL WORK SURFACE AND LINER

STANDARD FEATURES

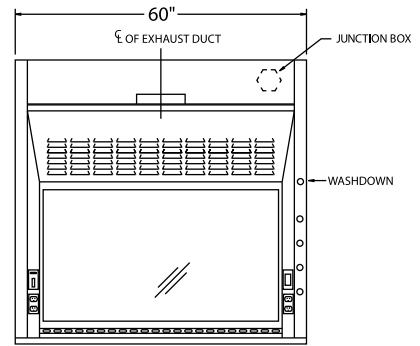




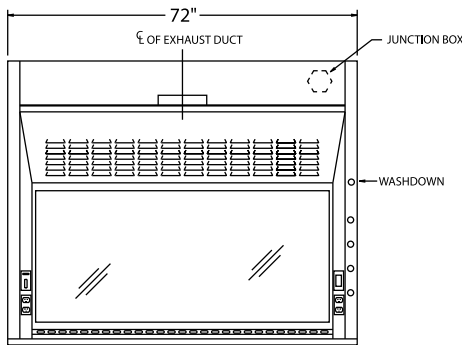
LS-716-36



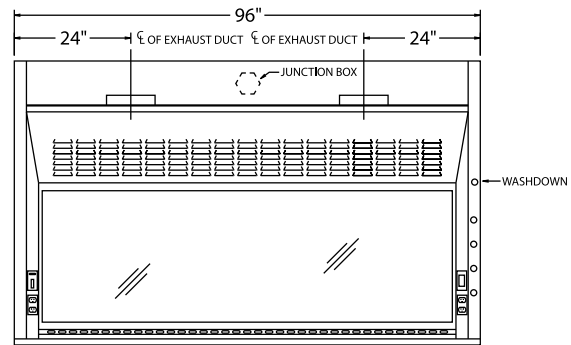
LS-716-48



LS-716-60



LS-716-72



LS-716-96

Part Number	Superstructure			Integral Worktop			Hood Opening		CFM @ 29"*	CFM @ 18"*	SP	Blower Model #	Shipping Weight
	W	H	D	W	H	D	W	H					
LS-716-36	36"	56"	33-1/4"	36"	1-1/4"	30"	26"	29"	567	354	.25	BL-700-36	190
LS-716-48	48"	56"	33-1/4"	48"	1-1/4"	30"	38"	29"	833	521	.33	BL-700-48	560
LS-716-60	60"	56"	33-1/4"	60"	1-1/4"	30"	50"	29"	1100	688	.34	BL-700-60	675
LS-716-72	72"	56"	33-1/4"	72"	1-1/4"	30"	62"	29"	1367	854	.34	BL-700-72	790
LS-716-96	96"	56"	33-1/4"	96"	1-1/4"	30"	86"	29"	1900	1188	.40	BL-700-96	1025

*HEIGHT OF OPEN SASH // CFM CALCULATED AT 100 FPM.

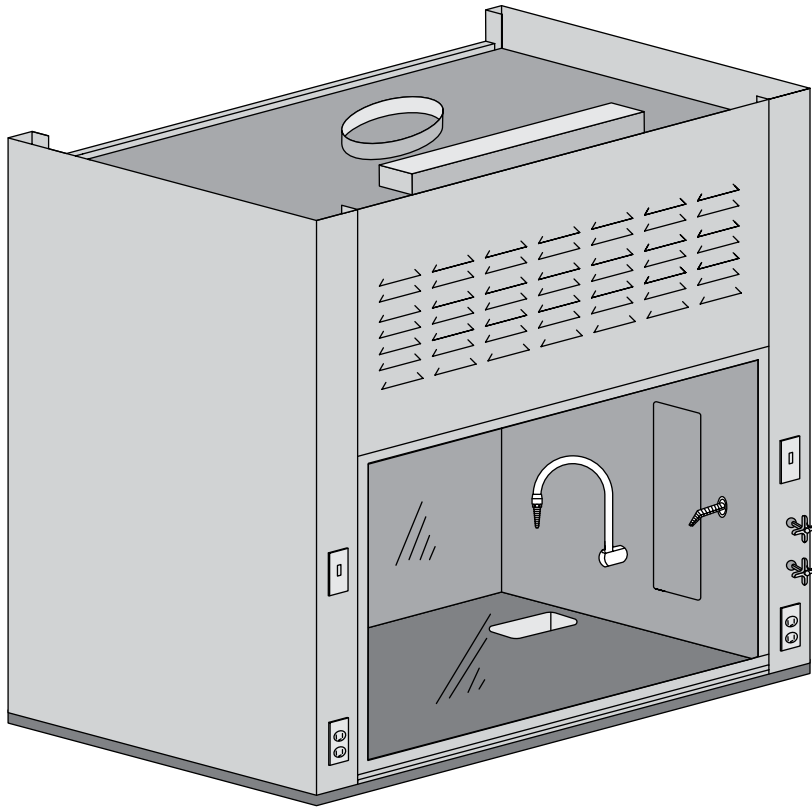
OPTIONAL ACCESSORIES

ITEM	PT#	PAGE
Ceiling Enclosures	CE	31
Plumbing Accessories		32
Electrical Accessories		33
Alarms	ALARM	
Base Cabinets	BC	34
Blowers	BL	
Pre-Plumbing	PREP	

ITEM	PT#	PAGE
Pre-Wiring	PREW	
Sash Stops	SASHSTOP	36
Chain and Sprocket Drive	CHNSPK	
Push Button Sash	PUSH BUTTON	36
Combination Sash	H&V	36
Automatic Sash Return	AUTO RETURN	36
Lattice Assembly	LATTICE	

LABSCAPE // 800 SERIES

FLAT FRONT HOOD

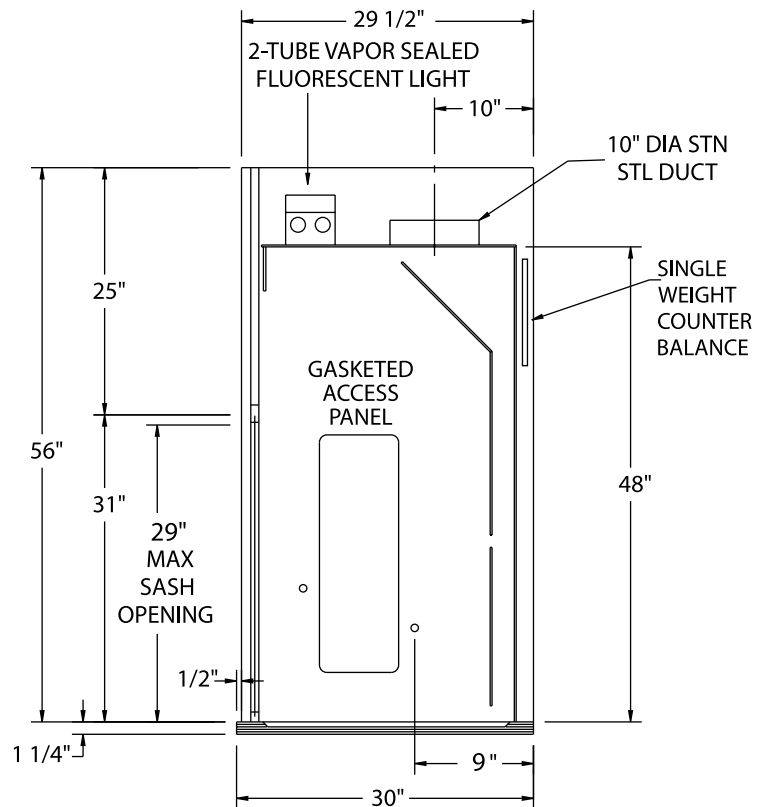


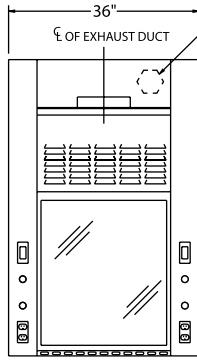
ECONOMICAL SCHOOL HOOD.

A basic fume hood for K-12 educational applications, the LS-800 Series is similar in design and construction to the LS-300 Thin Wall Hood, but with 5" posts to provide plumbing and electrical fixtures on the face of the hood. This hood has many of the same features found in other Labscape hoods, but it is economically priced for secondary school budgets.

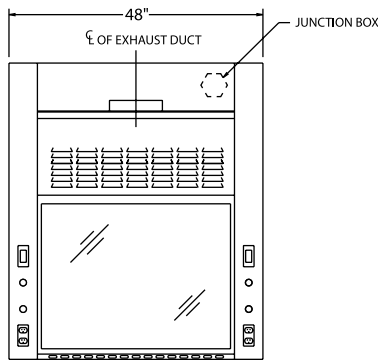
STANDARD FEATURES

- U.L. 1805 CLASSIFIED
- POWDER COAT FINISH
- FULL FRAME CONSTRUCTION
- SHAFT DRIVE SASH
- U.L. LISTED POLY RESIN LINER
- T-8 FLUORESCENT LIGHT WITH BULBS
- KNOCK DOWN CAPABILITY
- FULL-LENGTH FINGER LIFT
- LOUVERED FRONT FOR BY-PASS
- 10" ROUND DUCT

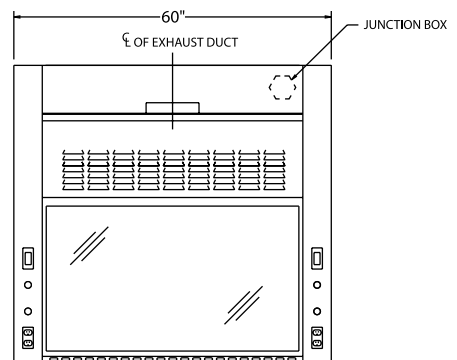




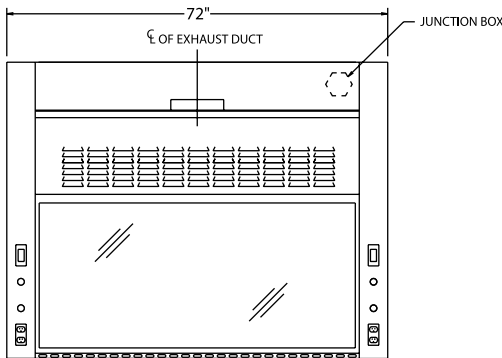
LS-811-36



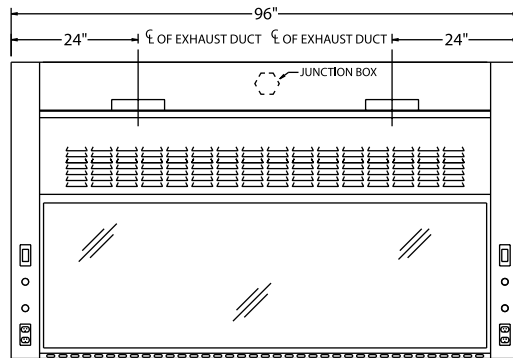
LS-811-48



LS-811-60



LS-811-72



LS-811-96

Part Number	Superstructure			Worktop			Hood Opening		CFM @ 29"*	CFM @ 18"*	SP	Blower Model #	Shipping Weight
	W	H	D	W	H	D	W	H					
LS-811-36	36"	56"	29-1/2"	36"	1-1/4"	30"	26"	29"	567	354	.25	BL-100-36	300
LS-811-48	48"	56"	29-1/2"	48"	1-1/4"	30"	38"	29"	833	521	.33	BL-100-48	360
LS-811-60	60"	56"	29-1/2"	60"	1-1/4"	30"	50"	29"	1100	688	.34	BL-100-60	440
LS-811-72	72"	56"	29-1/2"	72"	1-1/4"	30"	62"	29"	1367	854	.34	BL-100-72	520
LS-811-96	96"	56"	29-1/2"	96"	1-1/4"	30"	86"	29"	1900	1188	.40	BL-100-96	680

*HEIGHT OF OPEN SASH // CFM CALCULATED AT 100 FPM.

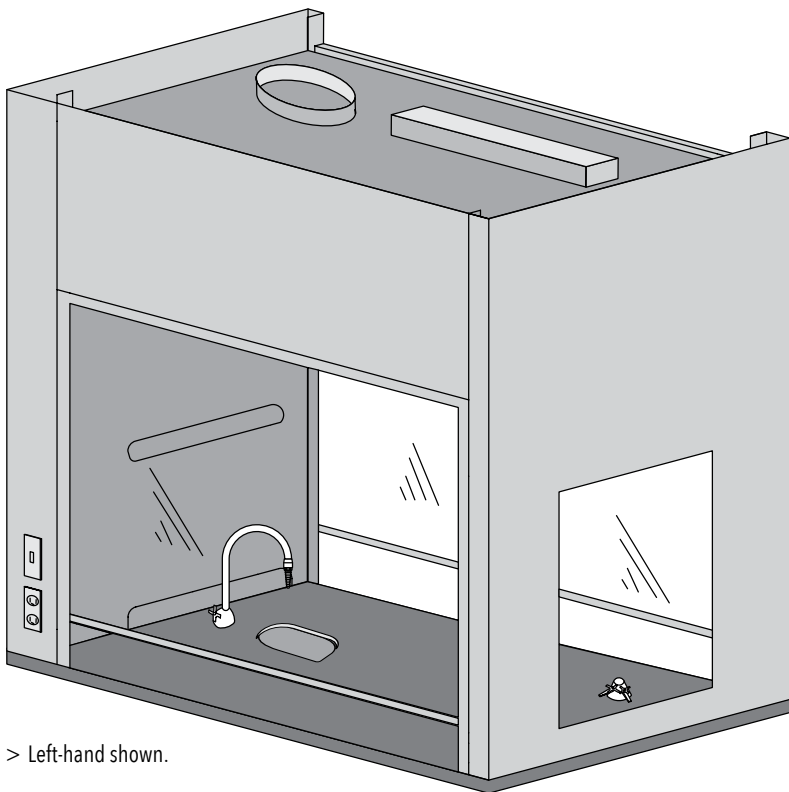
OPTIONAL ACCESSORIES

ITEM	PT#	PAGE	ITEM	PT#	PAGE
Ceiling Enclosures	CE	31	Pre-Wiring	PREW	
Plumbing Accessories		32	Sash Stops	SASHSTOP	36
Electrical Accessories		33	Chain and Sprocket Drive	CHNSPK	
Epoxy Tops	ET	37	Stainless Steel Sash	SS SASH	36
Alarms	ALARM		Push Button Sash	PUSH BUTTON	36
Base Cabinets	BC	34	Combination Sash	H&V	36
Blowers	BL		Automatic Sash Return	AUTO RETURN	36
Pre-Plumbing	PREP		Lattice Assembly	LATTICE	

LABSCAPE // 900 SERIES

DEMONSTRATION HOOD

24



> Left-hand shown.

THREE WINDOWS FOR OPTIMUM VIEWING.

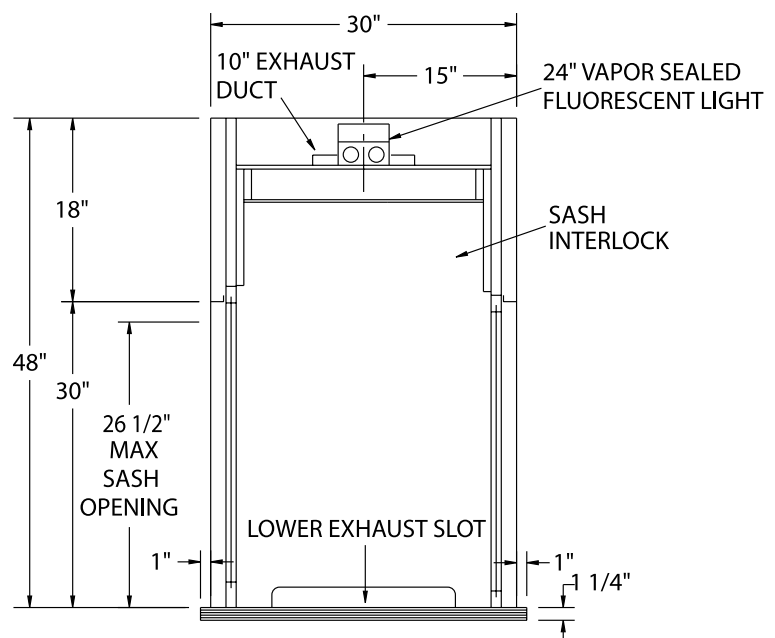
The LS-900 Series is an educational viewing fume hood with one slimmed down 2" front post and one standard 5" post to allow for more workspace and electrical services. Plumbing service must be deck mounted.

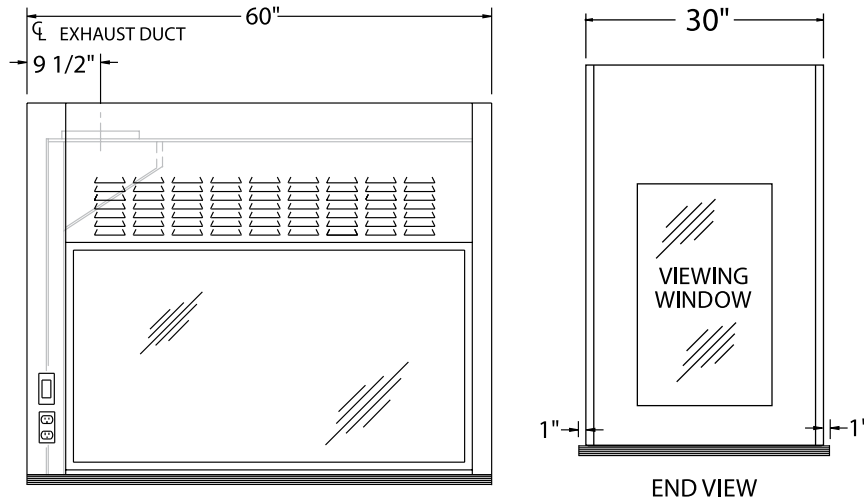
The LS-900 is available in either right-hand or left-hand orientation. This hood features a two-sash configuration and a third (end) viewing window, making it ideal for use in high schools or any environment where demonstration of experiments is desired. The end window may be eliminated for through-wall installations.

U.L.1805 CLASSIFIED

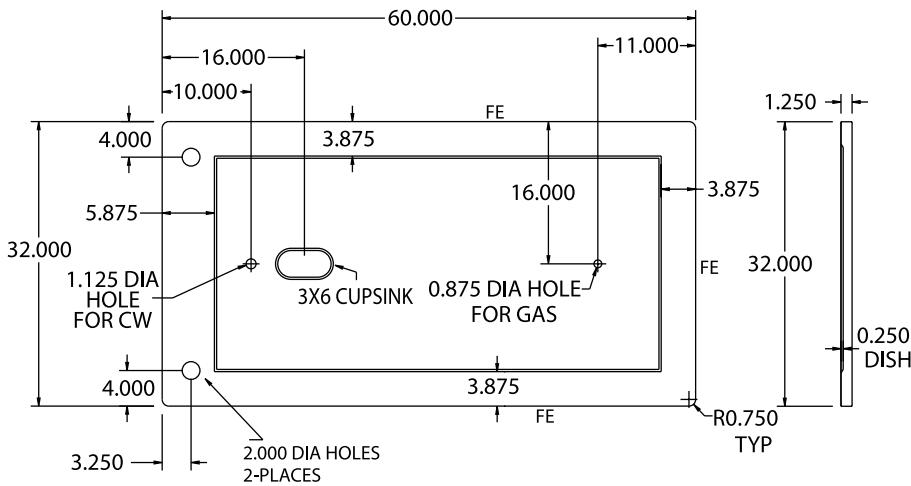
POWDER COAT FINISH
FULL FRAME CONSTRUCTION
U.L. LISTED POLY RESIN LINER
T-8 FLUORESCENT LIGHT WITH BULBS
KNOCK DOWN CAPABILITY
FULL-LENGTH FINGER LIFT
LOUVERED FRONT FOR BY-PASS
10" ROUND DUCT
SASH INTERLOCK

STANDARD FEATURES





LS-911-60L
SWITCHES ON LEFT AS SHOWN
LS-911-60R
SWITCHES ON RIGHT / NOT SHOWN



TO ORDER WITHOUT A VIEWING WINDOW // ADD -OEV TO THE PART NO.

Part Number	Superstructure			Worktop			Hood Opening		CFM @ 26.5"*	CFM @ 18"*	SP	Blower Model #	Shipping Weight
	W	H	D	W	H	D	W	H					
LS-911-60	60"	48"	30"	60"	1-1/4"	32"	53"	26.5"***	1030	722	.75	BL-900-60	500

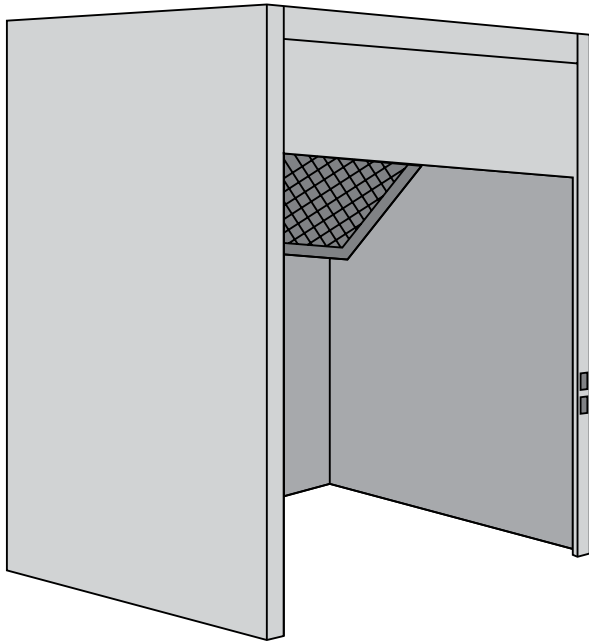
* HEIGHT OF OPEN SASH // CFM CALCULATED AT 100 FPM WITH ONE SASH OPEN. **EACH SIDE. FOR VAV HOODS // ADD -VAV TO THE PART NUMBER. PLEASE SPECIFY LEFT OR RIGHT // LEFT SHOWN.

OPTIONAL ACCESSORIES

ITEM	PT#	PAGE
Ceiling Enclosures	CE	31
Plumbing Accessories		32
Electrical Accessories		33
Epoxy Tops	ET	37
Alarms	ALARM	
Base Cabinets	BC	34
Blowers	BL	
Pre-Plumbing	PREP	

ITEM	PT#	PAGE
Pre-Wiring	PREW	
Sash Stops	SASHSTOP	36
Stainless Steel Sash	SS SASH	36
Push Button Sash	PUSH BUTTON	36
Combination Sash	H&V	36
Automatic Sash Return	AUTO RETURN	36
Lattice Assembly	LATTICE	

SPRAY // PAINT BOOTH

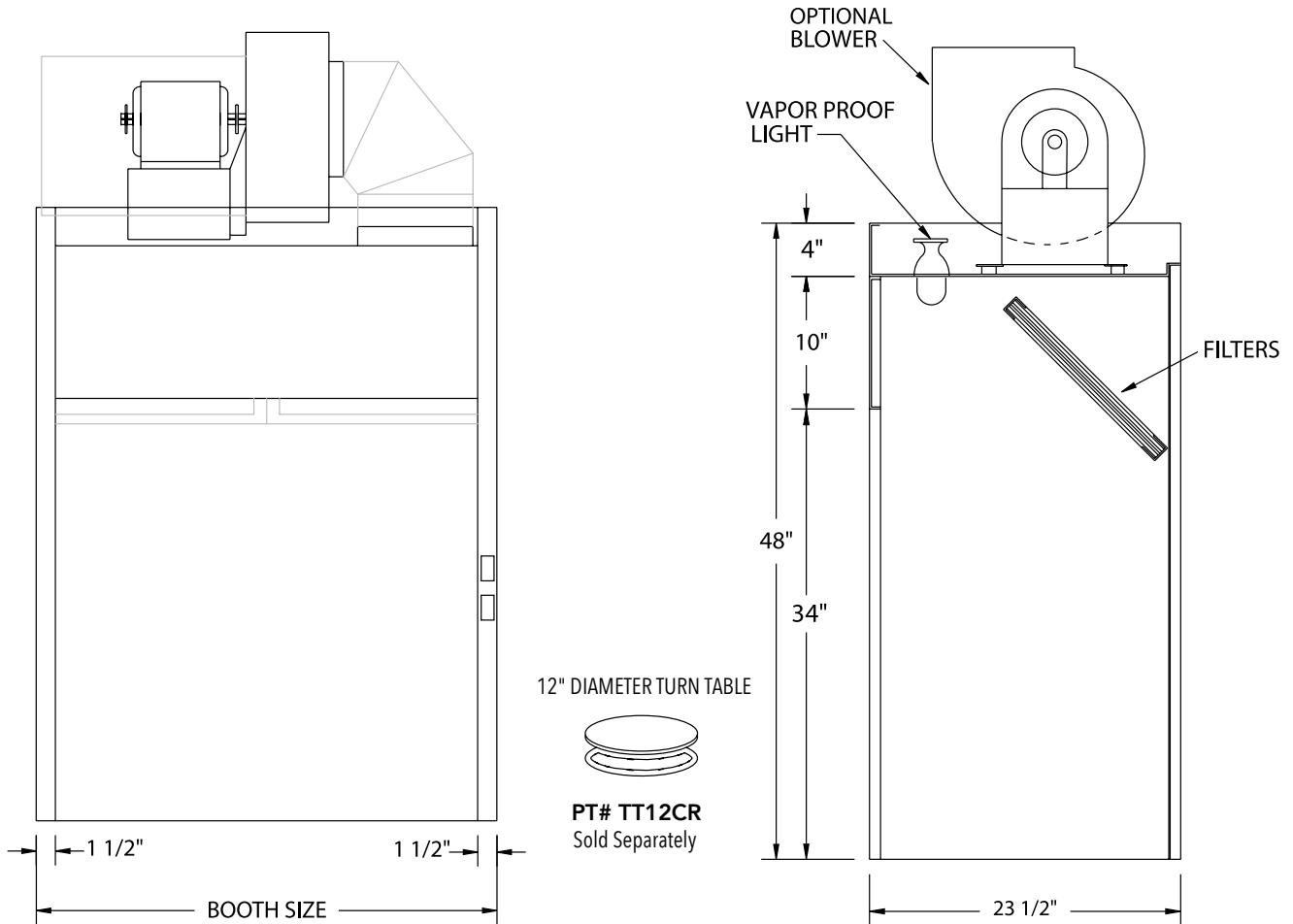


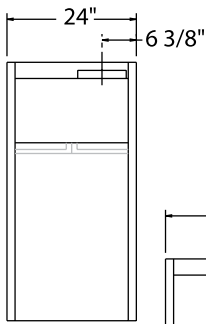
The Labscape Spray // Paint Booth is fabricated of 18-gauge steel with a corrosion resistant, powder coat baked epoxy finish. The upper booth enclosure includes a standard vapor-proof light as well as two filters set in an easy-to-change flange bracket system. The globed interior light is mounted with bulb included.

The optional blower motor operates at an RPM designed to provide 100 LFM and approximately 3/4" of static pressure. If the blower is ordered, it will be mounted on the booth and wired to the common junction box with the light. The transition piece from the booth to blower will be provided and connected. Both the light and the blower can be pre-wired to switches in the front post area of the booth when required.

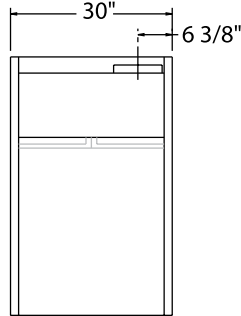
DIMENSIONS

PAINT BOOTHS ARE AVAILABLE IN WIDTHS OF 24" / 30" / 36" / 48" / 60"
ALL ARE 48"H X 23-1/2"D // SPECIAL SIZES AVAILABLE.

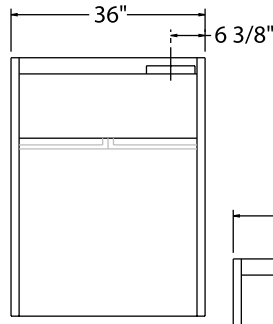




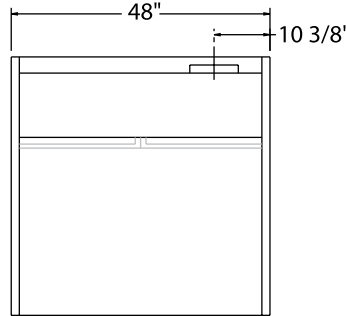
LABSCAPE-24-PB



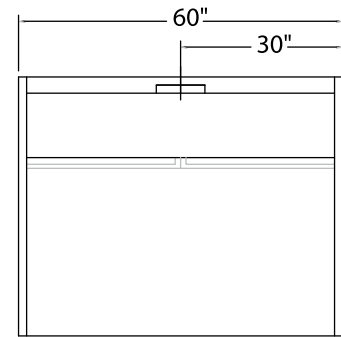
LABSCAPE-30-PB



LABSCAPE-36-PB



LABSCAPE-48-PB



LABSCAPE-60-PB

NOTE EXPLOSION-PROOF / X-P SWITCHES MUST MOUNT ON THE EXTERIOR OF BOOTH OR BE SHIPPED LOOSE FOR REMOTE OPERATION.

PAINT // SPRAY BOOTH

Part Number	Description	CFM @ 100 FPM
LS-24-PB	24" Paint (Spray) Booth	472
LS-30-PB	30" Paint (Spray) Booth	613
LS-36-PB	36" Paint (Spray) Booth	755
LS-48-PB	48" Paint (Spray) Booth	1040
LS-60-PB	60" Paint (Spray) Booth	1322

EXPLOSION-PROOF OPTIONS

Part Number	Description	CFM @ 100 FPM
LS-24-XPB	24" Booth w/X-P Light	472
LS-30-XPB	30" Booth w/X-P Light	613
LS-36-XPB	36" Booth w/X-P Light	755
LS-48-XPB	48" Booth w/X-P Light	1040
LS-60-XPB	60" Booth w/X-P Light	1322

PAINT // SPRAY BOOTH W/ BLOWER

Part Number	Description	CFM @ 100 FPM
LS-24-PBW	24" Booth and Blower	472
LS-30-PBW	30" Booth and Blower	613
LS-36-PBW	36" Booth and Blower	755
LS-48-PBW	48" Booth and Blower	1040
LS-60-PBW	60" Booth and Blower	1322

PAINT // SPRAY BOOTH W/ EXPLOSION-PROOF LIGHT/BLOWER

Part Number	Description	CFM @ 100 FPM
LS-24-XPBW	24" Booth w/X-P Light and Blower	472
LS-30-XPBW	30" Booth w/X-P Light and Blower	613
LS-36-XPBW	36" Booth w/X-P Light and Blower	755
LS-48-XPBW	48" Booth w/X-P Light and Blower	1040
LS-60-XPBW	60" Booth w/X-P Light and Blower	1322

OPTIONAL ACCESSORIES

ITEM	PT#	PAGE
Light Switch	LTSW	33
Blower Switch	BLSW	33
Stainless Steel Top		37

ITEM	PT#	PAGE
Galvanized Top		
Pre-Wire Service	PREWIRE	

PORTABLE HOOD

APPLICATIONS K-12 // University // Private Industry

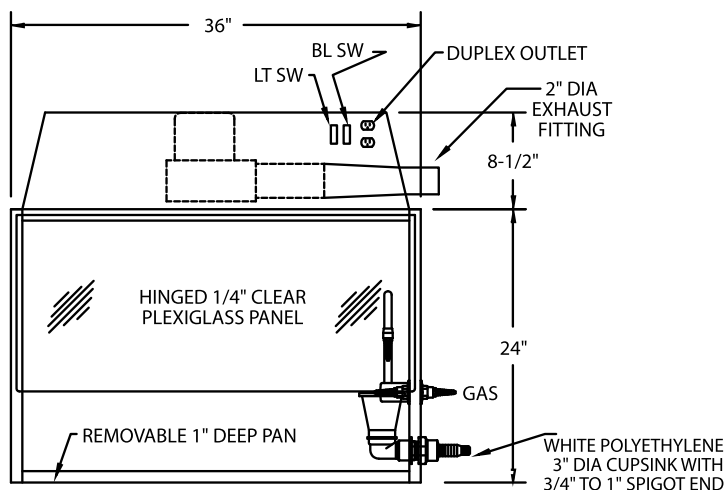
This Labscape hood is portable, but must be connected to an HVAC system. The backward-curved 120 volt blower has a variable speed control to maximize efficiency and minimize motor noise. The blower unit sits atop a fully welded tube chamber with plexiglass windows for viewing from all four sides. The front has a fold-up door to allow for loading and unloading of apparatus and experiments.

STANDARD FEATURES

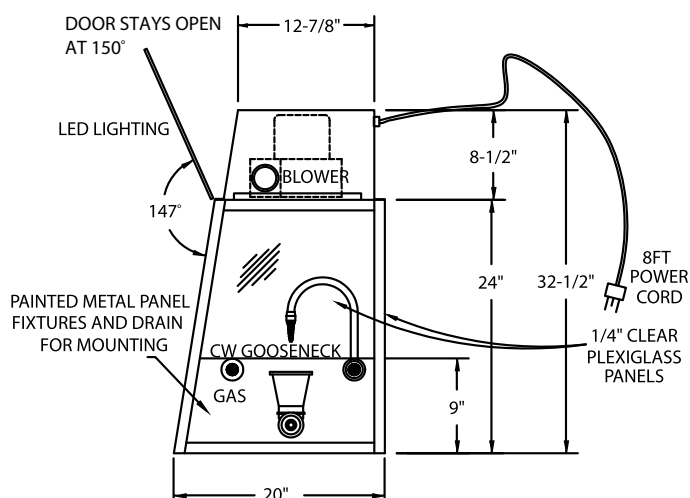
- PAINTED STEEL CONSTRUCTION
- ENERGY-SAVING LED LIGHT FIXTURE
- COMBINATION LIGHT/BLOWER SWITCH
- GFI DUPLEX OUTLET
- PRE-WIRED
- 8' POWER CORD
- 2" DIA. X 48" FLEX EXHAUST DUCT

Part Number	Description
LABSCAPE-36-CRPH	HOOD ONLY
LABSCAPE-36-CRPHT	HOOD WITH EPOXY TOP HOOD
LABSCAPE-36-CRPHTC	WITH TOP AND CART

FOR STAINLESS STEEL CONSTRUCTION USE THE PREFIX SS.

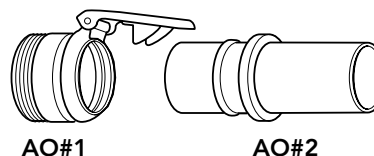


FRONT VIEW



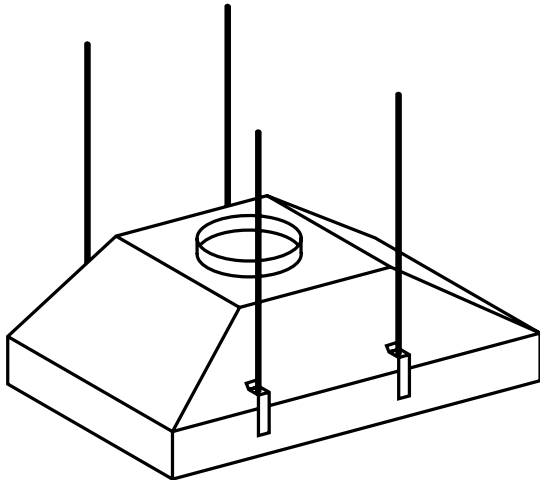
END VIEW

Portable Hood Adapter Option
NOTE // AO#1 & AO#2 ARE MATING PARTS.

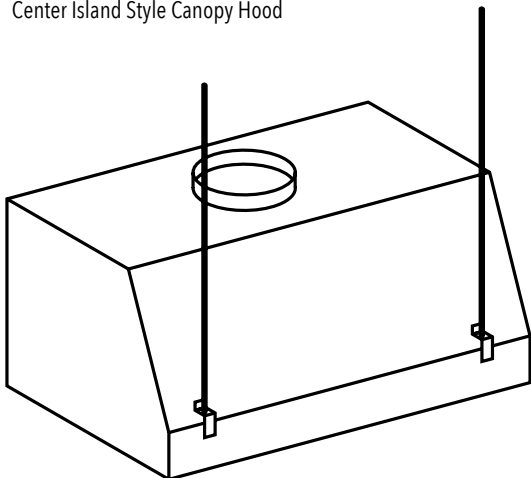


Labscape Canopy Hoods are designed to collect and exhaust heat, steam and odors when mounted above hot plates, water baths or portable equipment. They are available in three different models as pictured here and in six standard widths.

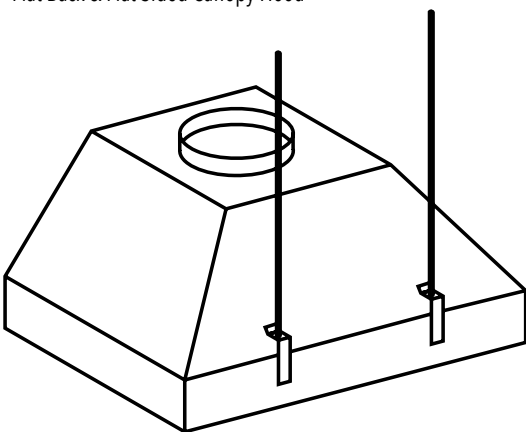
Standard canopy hoods are available in 18-gauge cold rolled steel, finished with acid wash and powder coat epoxy paint. Stainless canopy hoods are fabricated of 18-gauge 304 stainless steel with a #4 smooth grain finish. Two stainless steel threaded rods come with FS and SE models; four are supplied with ILN models.



CH-IL MODEL
Center Island Style Canopy Hood



FS-IL MODEL
Flat Back & Flat Sided Canopy Hood



CH-SE MODEL
Flat Back & Sloped Sides Canopy Hood

DIMENSIONS
STANDARD WIDTHS 24" / 30" / 36" / 48" / 60" / 72"
CUSTOM SIZES ALSO AVAILABLE.

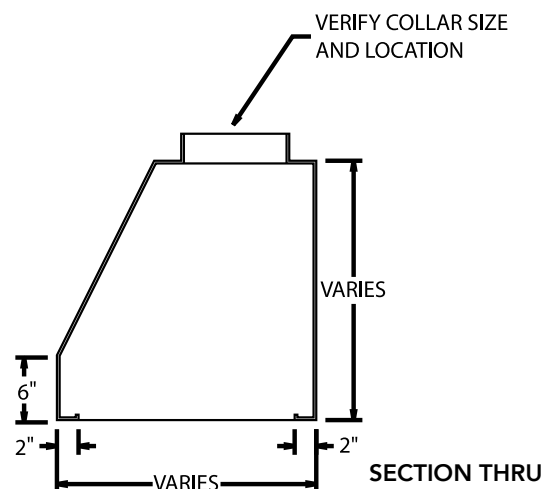
HOW TO ORDER

CH-FS-4824=
PAINTED STEEL CANOPY HOOD // FLAT BACK // 48" W X 24"D

CH-IL-6030-SS=
DEEP ISLAND CANOPY HOOD // 60" W X 30"D //
STAINLESS STEEL CONSTRUCTION

Model	Description
CH-FS	FLAT BACK AND FLAT SIDES
CH-IL	CENTER STYLE
CH-SE	FLAT BACK AND SLOPED SIDES

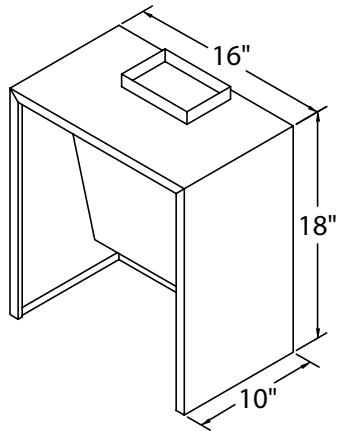
FOR STAINLESS STEEL CONSTRUCTION USE THE PREFIX SS.



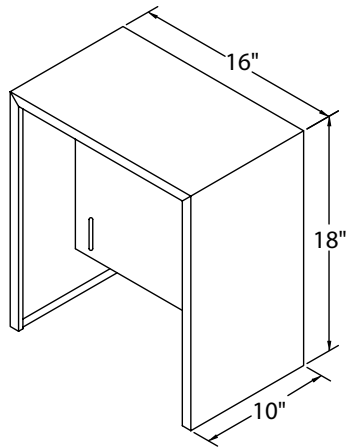
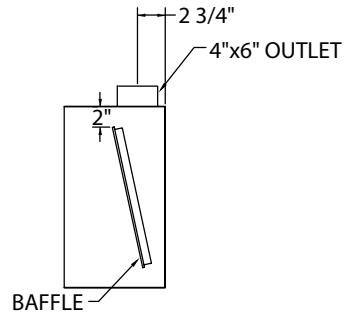
UPDRAFT & DOWNDRAFT SYSTEMS

APPLICATIONS K-12 // University // Industrial

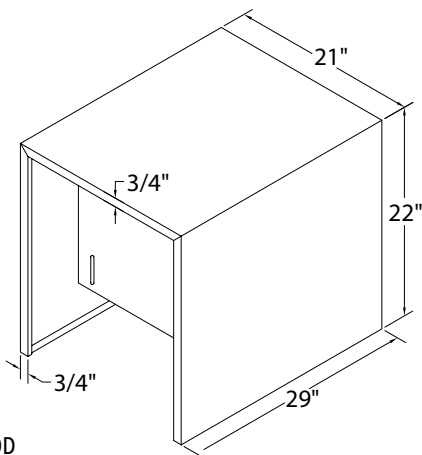
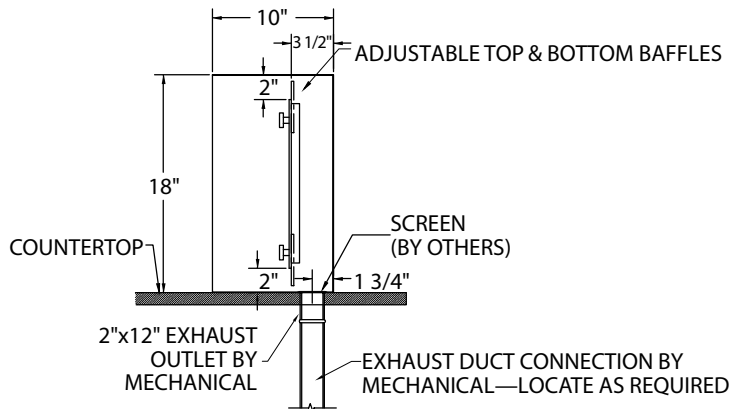
Inexpensive hoods designed to increase operator safety by ridding fumes such as formalin, smoke or any other non-hazardous media. Many sizes are available; please contact your Labscape representative for further information.



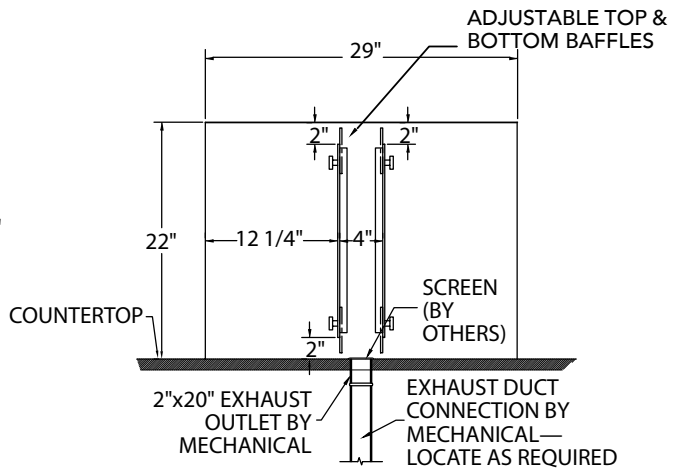
SINGLE-SIDED
UPDRAFT HOOD



SINGLE-SIDED
DOWNDRAFT HOOD



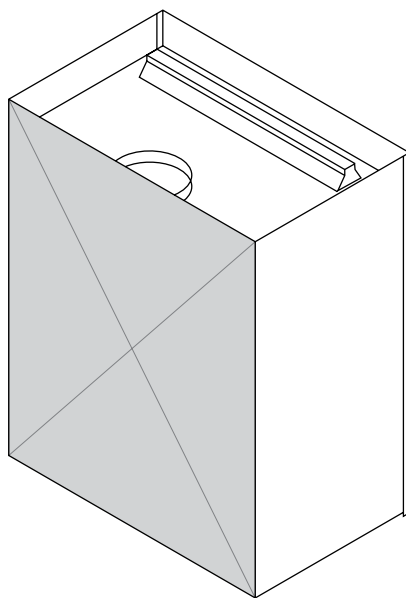
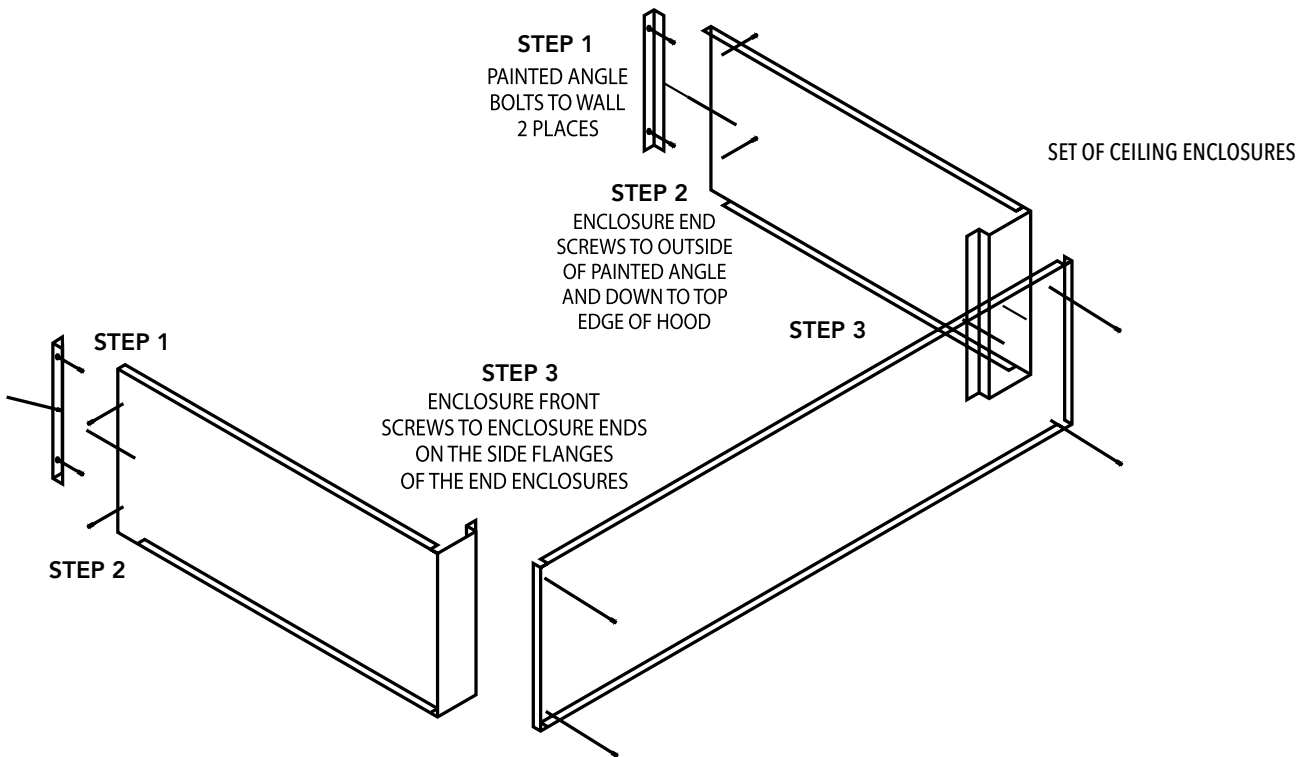
DOUBLE-SIDED
DOWNDRAFT HOOD



CEILING ENCLOSURES & FINISHED BACKS

Labscape offers ceiling enclosures and finished backs to provide a professional, finished design in any setting. Ceiling enclosures and finished backs are fabricated of cold rolled steel and finished to match the fume hood superstructure.

The ceiling enclosures are available in two types: for standard fume hoods and also for those fume hoods utilizing the optional Air Chamber. Both enclosures conceal and protect the hood ductwork, electrical conduit and other supply lines.



HOW TO ORDER

CE-W-H=
CE = CEILING ENCLOSURES
W = HOOD WIDTH // H = HEIGHT OF ENCLOSURE REQUIRED

CE-48-18=
CEILING ENCLOSURES // 48"W X 18"H

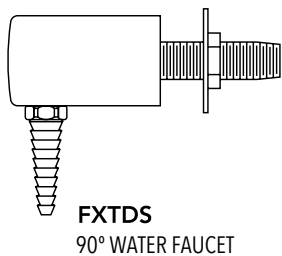
FINBACK-W=
FINBACK = FINISHED BACKS // W = HOOD WIDTH

FINISHED BACK HOOD

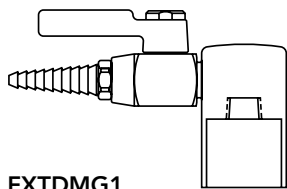
Finished backs are used to close off the back of the fume hood, giving it a finished look when located in the center of a room.

PLUMBING FIXTURES

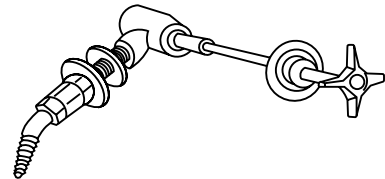
All Labscape remote-operated fixtures come standard with four-prong handles, baked color-coded epoxy upper assemblies and control rods cut to length. Chrome and other styles are available upon request. Pre-plumbed services are 3/8"OD-1/4"ID polypropylene tubing for water, air and vacuum; 1/2"OD flexible stainless steel tubing for burning gas services.



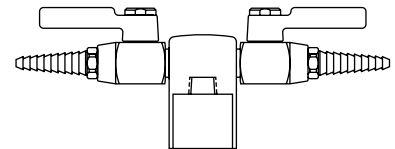
FXTDS
90° WATER FAUCET



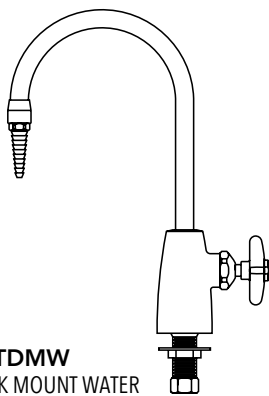
FXTDMG1
DECK MOUNT GAS SINGLE OUTLET



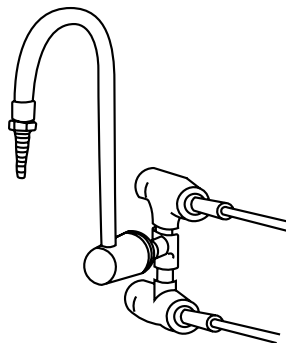
REMOTE CONTROL FIXTURES



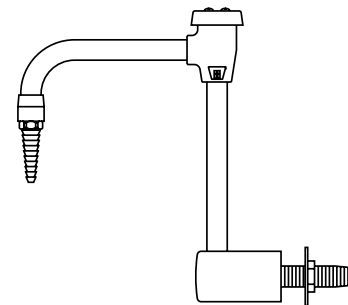
FXTDMG2
DECK MOUNT DOUBLE OUTLET



FXTDMW
DECK MOUNT WATER



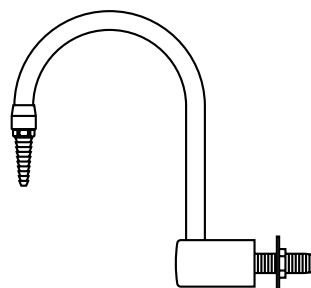
FXTCWM
HOT AND COLD WATER MIXING



FXTGNWVB
GOOSENECK FAUCET W/ VACUUM BREAKER
Specify hot or cold.

DESCRIPTION	PART #
GAS	FXTGAS
AIR	FXTAIR
VACUUM	FXTVAC
NITROGEN	FXTNIT
COLD WATER	FXTCW

OTHERS AVAILABLE UPON REQUEST.

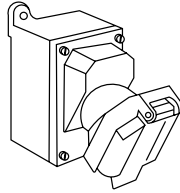


FXTGN
GOOSENECK FAUCET
Specify hot or cold.

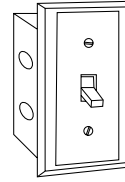
ELECTRICAL FIXTURES & SPECS



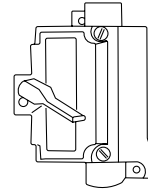
XPL
EXPLOSION PROOF LIGHT
Class 1 / Group 1
Available incandescent or fluorescent.



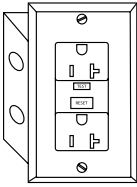
XPO
EXPLOSION PROOF OUTLET
Class 1 / Group 1



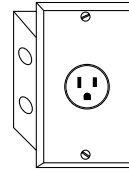
BLSW
RED ILLUMINATED TOGGLE SWITCH
Standard black cover plate.



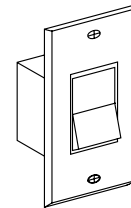
XSW
EXPLOSION PROOF SWITCH
Class 1 / Group 1



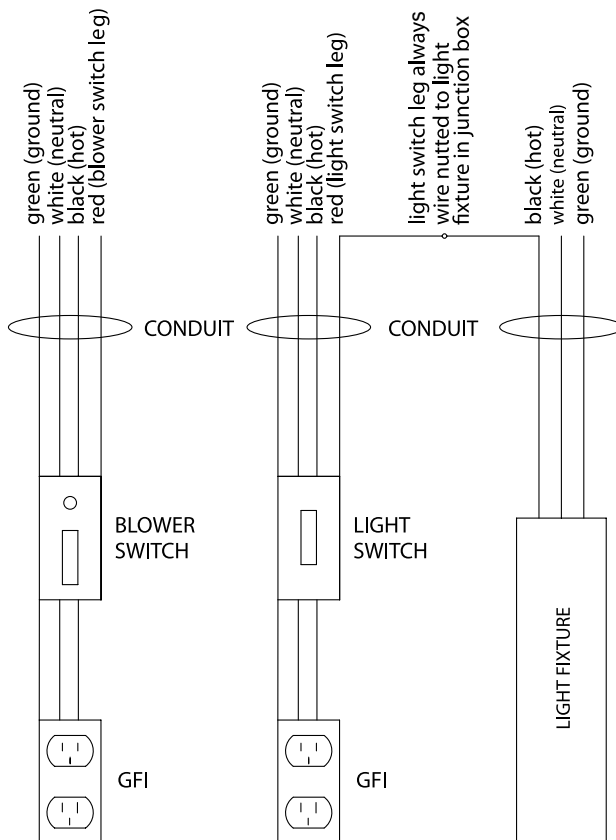
GFI
120 VOLT / 20 AMP
Ground fault interrupter duplex outlet. Standard black color w/ cover.



208
208 VOLT / 20 AMP
Single pole receptacle 230, 277.
Other available upon request.



LTSW
SINGLE POLE/15 AMP SWITCH
Standard black color w/ cover plate.



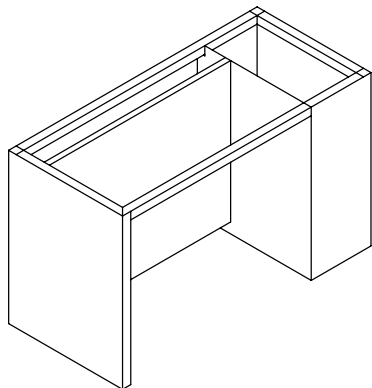
If the fume hood is not pre-wired, wiring in the field must be accomplished using U.L. listed electrical fixtures while observing NEC standards and local electrical codes.

NOTE PRE-WIRE SERVICE IS COMPLETED IN ACCORDANCE WITH NEC AND UL-1805 STANDARDS.

BASE CABINETS

Although Labscape is your fume hood expert, we do offer a selection of inset metal wall and base cabinets in 29", 33" and 35" heights. When a large quantity of standard laboratory cabinets is required, please contact us for an approved distributor. Labscape fume hood base cabinets conform to the method of testing and performance requirements set forth in the Scientific Equipment Furniture Association (SEFA). All ADA and hood base cabinets can be manufactured in stainless steel.

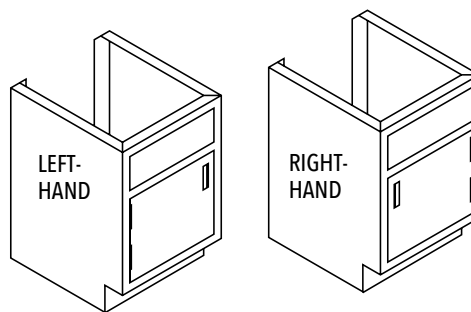
ADA BASE FRAMES



HBF-3048
HBF-3348

ADA FRAMES & BASES // SPECIFY LEFT- OR RIGHT-HAND
ADA CABINET CONFIGURATIONS COME IN BOTH 30" AND 33" HIGH.

ADA HOOD BASES



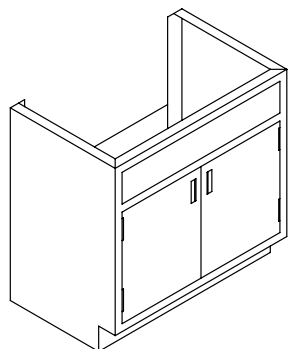
B2912-10P
B2918-10P
B2924-10P

B3312-10P
B3318-10P
B3324-10P

HOW TO ORDER

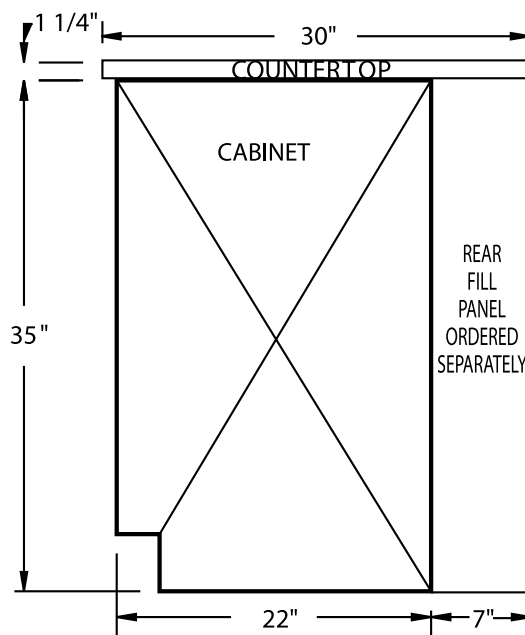
HB-3630 = HOOD BASE // 36"H X 30"W

HOOD BASES



B3512-10P*
B3518-10P*
B3524-20P*
B3530-20P
B3536-20P
B3548-20P

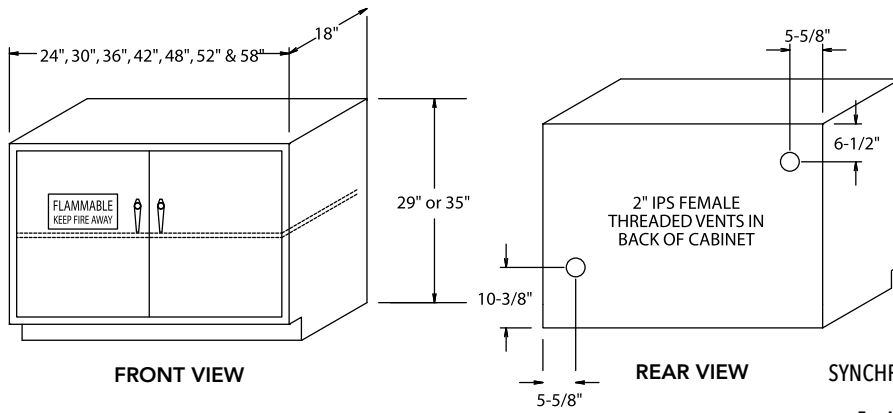
SINGLE DOOR // SPECIFY LEFT- OR RIGHT-HAND
CABINET CONFIGURATIONS COME IN BOTH 33" AND 29" HIGH. OTHER METAL BASE CABINETS AVAILABLE UPON REQUEST.



END VIEW OF HOOD CABINET
ALL HOOD BASES HAVE ADJUSTABLE FEET

FLAMMABLE & ACID STORAGE

The Flammable Liquid Storage Cabinet is a "cabinet-within-a-cabinet" design with fully welded 18ga interior and exterior units. Both cabinets are completely powder coated inside and out, offering greater protection against corrosion than the standard double panel construction. This design creates a 1.5" airspace on all four sides as well as top and bottom for heat resistance up to 2400 degrees F. The interior of the cabinet contains one fully adjustable shelf and a 2" deep removable drip pan to capture any spills or leaks inside the cabinet. Exterior depth of the cabinet is 18" and interior depth is 14". A 2" x 2" 12ga support angle is shipped with each cabinet for countertop installation. Doors have a continuous hinge and lever type handles with a hidden 3-point lock mechanism. If a self-closing feature is required, a hydraulic closure will be attached to the doors and a custom closing system attached to the interior cabinet. The back of the cabinet has two venting holes that are plugged with 2" barrel bungs. Labscape Flammable Liquid Storage Cabinets are constructed in accordance with OSHA and NFPA 30, and are UL listed.



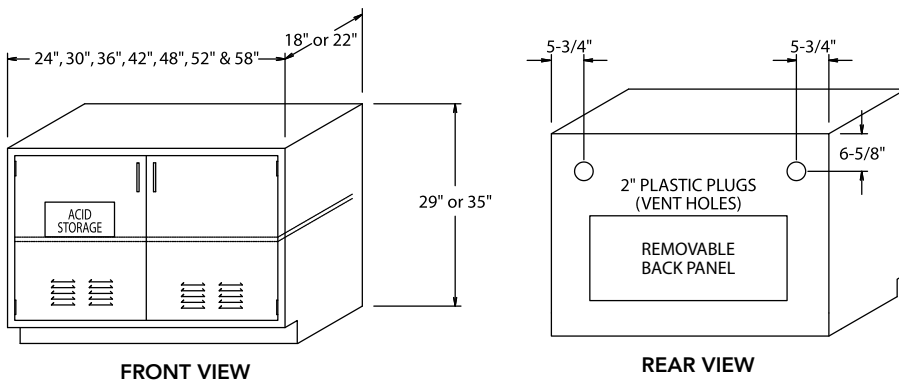
FLAMMABLE STORAGE CABINET

NOTE
 Flammable Storage Cabinets can be painted any standard color or safety yellow.

- FSC-24**
- FSC-30**
- FSC-36**
- FSC-42**
- FSC-48**
- FSC-52**
- FSC-58**

22" DEEP // ADD SUFFIX -22 TO PART NUMBER
 SYNCHRONIZED SELF-CLOSING DOORS// ADD SUFFIX -SC

For Mobile Cabinet, Contact a Labscape Representative.

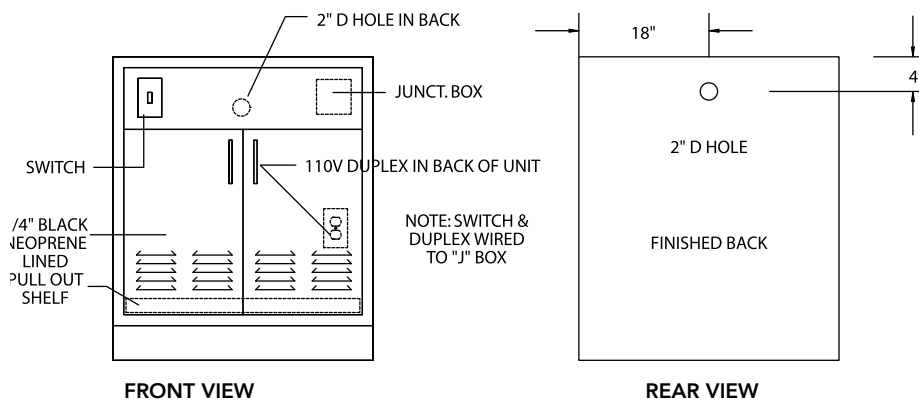


ACID STORAGE CABINET

NOTE
 Acid Cabinets can be painted any standard color or safety blue.

- ASC-24**
- ASC-30**
- ASC-36**
- ASC-42**
- ASC-48**
- ASC-52**
- ASC-58**

ADD SUFFIX -VK // IF VENT KIT IS REQUIRED.

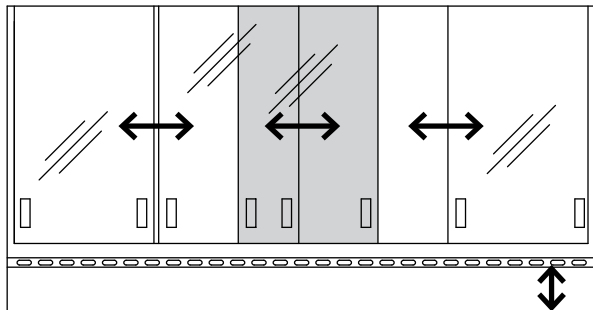


VACUUM PUMP

NOTE
 Additional insulation materials for noise reduction available upon request.

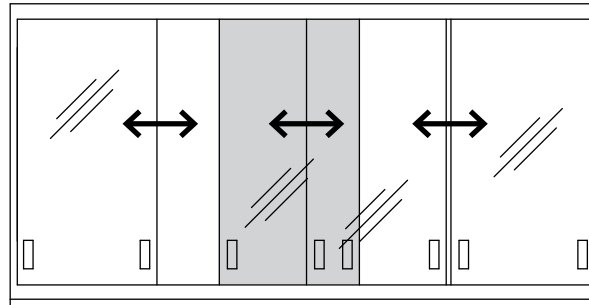
SASHES

LS-1 2 1-72



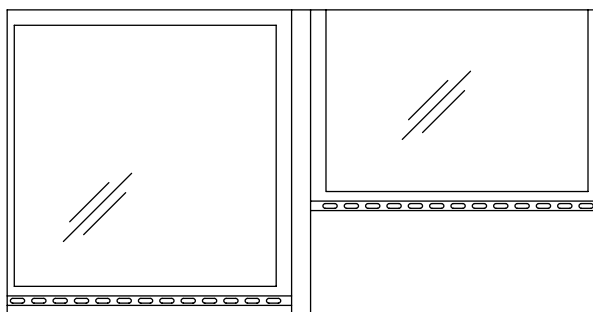
COMBO HORIZONTAL // VERTICAL SASH

LS-1 3 1-72



HORIZONTAL SASH ONLY

LS-1 4 1-72



INTERLOCKING SASH

*USE THE LARGE, UNDERLINED **SASH STYLE** NUMBER, IN EACH OF THE PART NUMBERS ABOVE WHEN ORDERING.

SASH ALARM

A RED LIGHT ALARM ACTIVATED WHEN SASH IS OPENED ABOVE A PRE-SET HEIGHT

SASH STOP

A DEVICE TO LIMIT SASH OPENING, WITH MANUAL OVERRIDE

AUTO SASH RETURN

RETURNS SASH TO 18" WORKING HEIGHT WHEN OPENED BEYOND SET HEIGHT

SASH INTERLOCK

ALLOWS ONLY ONE SASH TO BE OPENED AT ANY TIME ON A DOUBLE-SIDED HOOD

DOUBLE HUNG SASH

FOR LARGER OPENINGS WITH CEILING HEIGHT LIMITATIONS

SASH LOCK

A KEYED LOCK THAT KEEPS THE SASH CLOSED IF NEEDED IN A CLASSROOM SETTING

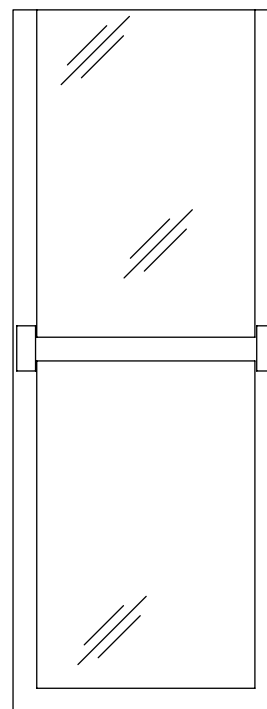
PUSHBUTTON SASH*

OPENS AND CLOSES SASH WITH THE PUSH OF A BUTTON AUTO-SENSING

SASH*

AUTOMATICALLY CLOSES SASH WHEN OPERATOR WALKS AWAY

LS-4 5 1-72

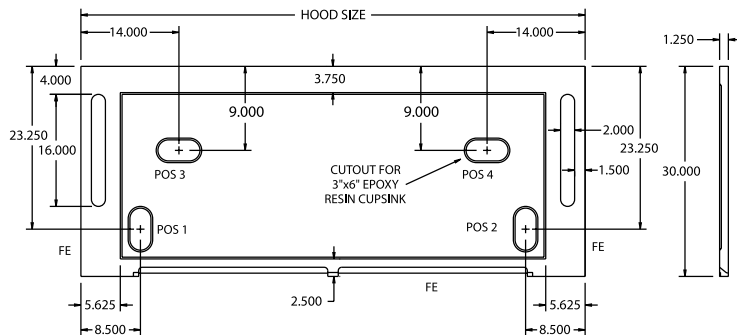


HANGING HORIZONTAL DOORS

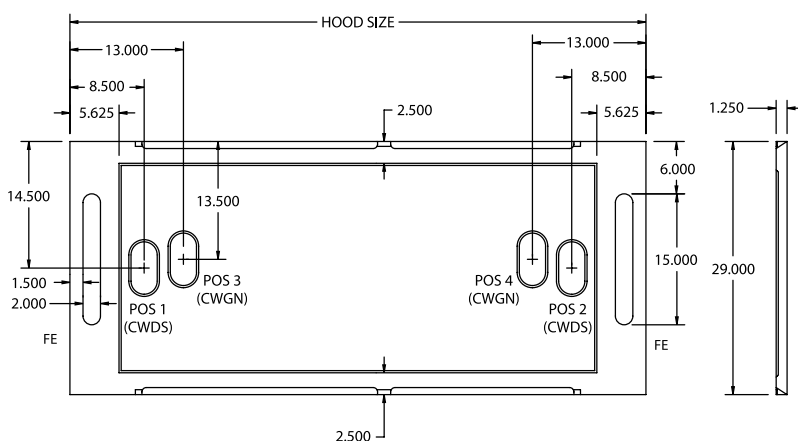
* These two types of sashes have a wide range of capabilities. Call a Labscape representative to determine which application is right for your needs.

ADDITIONAL SASH OPTIONS

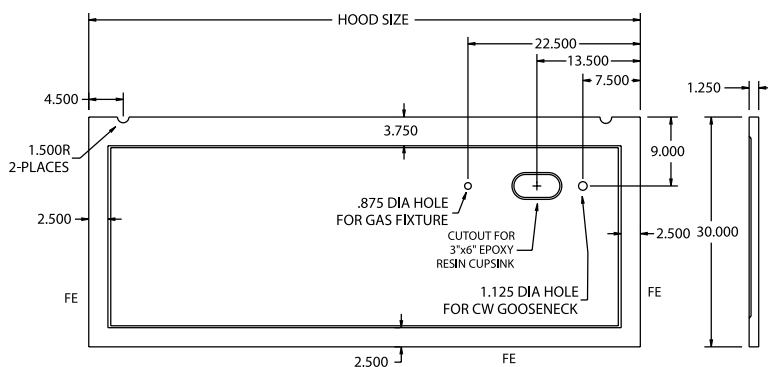
100 & 500 SERIES // EPOXY WORK SURFACES



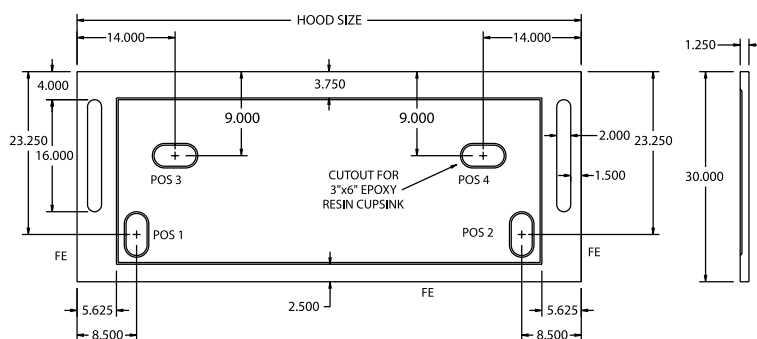
200 SERIES // EPOXY WORK SURFACES



300 SERIES // EPOXY WORK SURFACES



800 SERIES // EPOXY WORK SURFACES



WORK SURFACES

Another key component of effective and efficient fume hood utilization is the type of work surface to use. Inappropriate work surfaces can interfere with lab processes and be a potential danger to lab personnel. Labscape provides durable, high-performance epoxy resin and stainless steel surfaces that feature top quality materials and workmanship.

EPOXY RESIN

Epoxy resin fume hood surfaces provide a durable, chemical resistant work surface for the harshest laboratory environment. The work surface is surrounded by a 3/8" integrally-molded containment rim designed to ease clean-ups and prevent hood and casework damage from large chemical spills. Oval Cup Sinks/ 3"x 6" are standard. Locations must be specified when ordering. Other sinks sizes are available upon request.

STAINLESS STEEL

* Stainless Steel Work Surfaces are fabricated of 304 Stainless Steel/ 1-1/4" thick/ dished 3/8"/ #4 smooth satin finish. Square Welded Cup Sinks/ 3"x 6" are standard. Locations must be specified when ordering.

* IN PERCHLORIC ACID APPLICATIONS, 316 STAINLESS STEEL IS USED FOR LAB SAFETY.

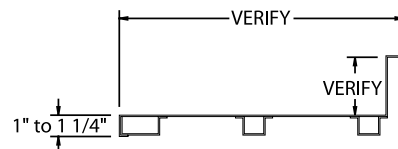
CUSTOM STAINLESS STEEL COUNTERTOPS

Primarily used for all general purpose fume hoods and base cabinets, standard stainless steel countertops are fabricated of 16-Gauge * 304 Stainless Steel / 1-1/4" thick / dished 3/8" / #4 smooth grain finish / 4" integral back splash comes standard. When sinks or end splashes are required, they are continuously welded to the top and professionally buffed to a #4 finish.

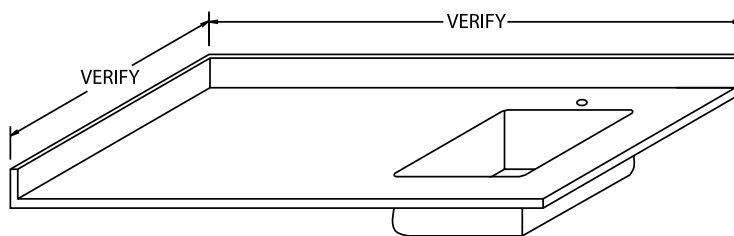
Countertop standard depth is 30" and can be made up to any length required // to include a field joint or continual counter depending on the specific job requirements. The tops also have a rubberized sound-deadening material applied to soften the sound of the top and make it more acoustically appealing.

Rectangular Welded Cup Sinks / 3"x 6" are standard. Locations must be specified when ordering.

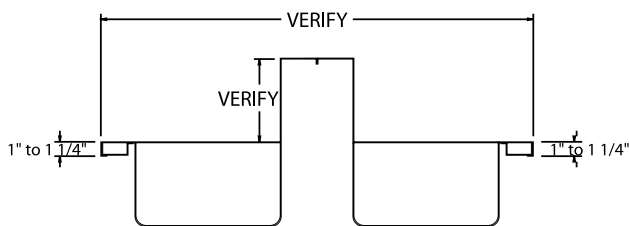
*** IN PERCHLORIC ACID APPLICATIONS, 316 STAINLESS STEEL IS USED FOR LAB SAFETY.**



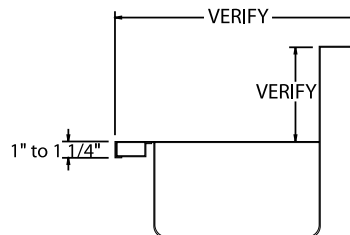
SECTION THRU



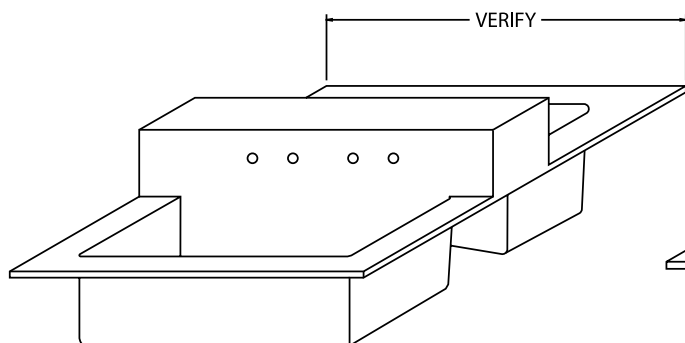
MARINE EDGE COUNTERTOPS ALSO AVAILABLE



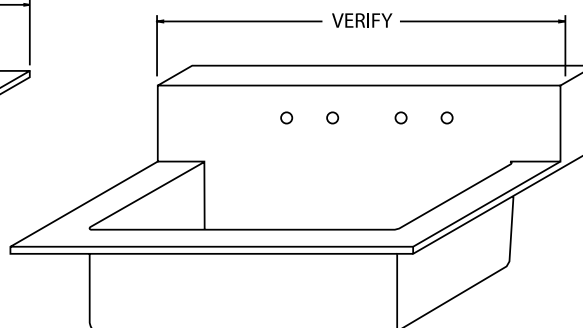
SECTION THRU



SECTION THRU



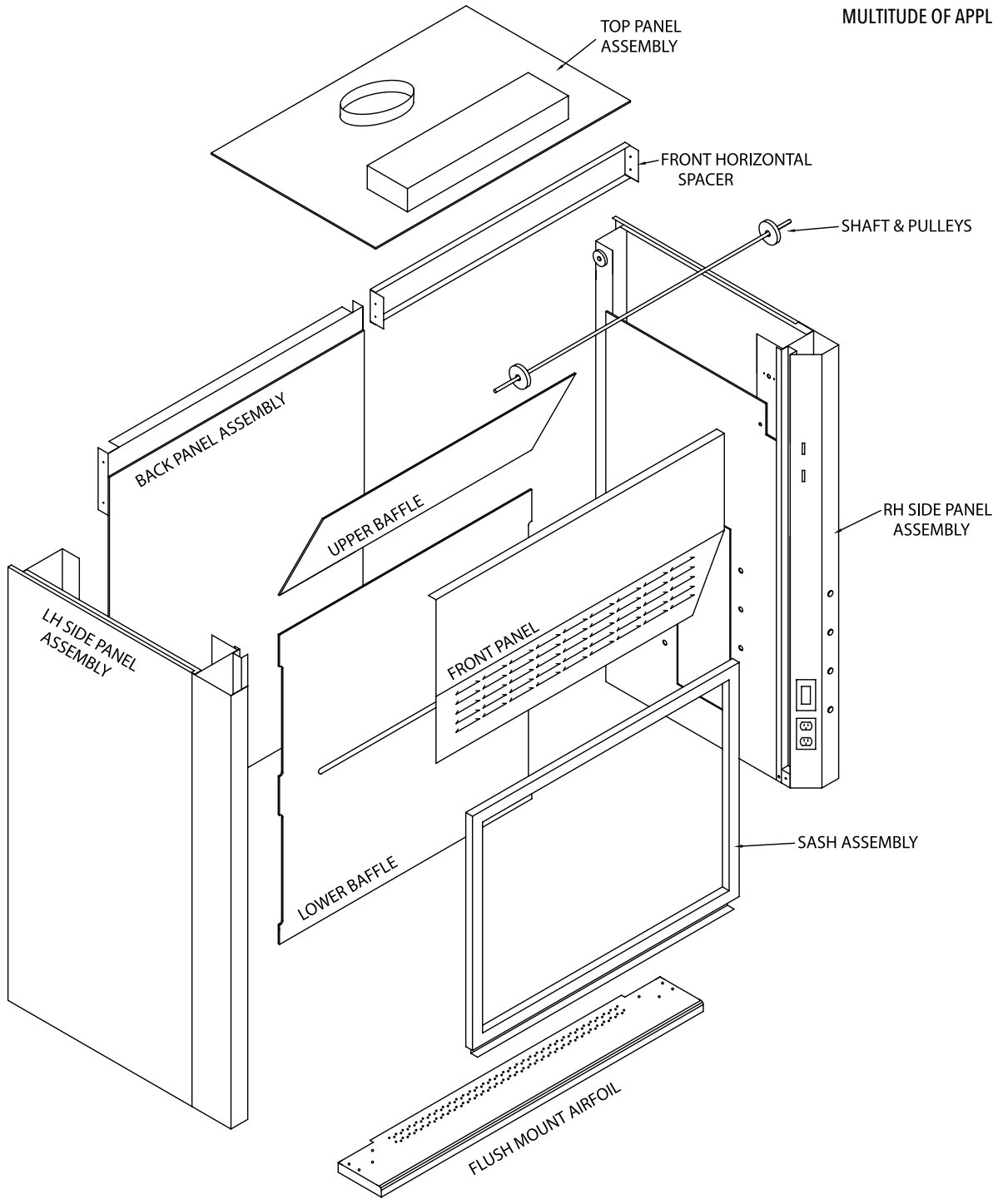
SPECIAL COUNTERTOP w/ DOUBLE SINK



SPECIAL COUNTERTOP w/ EXTRA DEEP SINK

Most Labscape hoods can be knocked down into manageable modules. This can be very useful when retrofitting old labs, or for easier installation of large hoods. This feature also allows for container shipment packaging.

*** EASY DISASSEMBLY AND REASSEMBLY FOR A MULTITUDE OF APPLICATIONS.**



GENERAL DESIGN REQUIREMENTS

1.01

FUME HOOD GENERAL DESIGN REQUIREMENTS

- A. Fume hoods shall function as ventilated, enclosed workspaces, designed to capture, confine and exhaust fumes, vapors and particulate matter produced or generated within the enclosure.
- B. Design fume hoods for consistent and safe air flow through the hood face. Negative variations of face velocity shall not exceed 20% of the average face velocity at any designated measuring point as defined in this section.
- C. Average illumination of work area: Minimum 80 foot-candles. Work area shall be defined as the area inside the superstructure from side to side and from face of baffle to the inside face of the sash, and from the working surface to a height of 28 inches.
- D. Fume hood shall be designed to minimize static pressure loss with adequate slot area and stainless steel exhaust collar configuration. Maximum average static pressure loss readings taken three diameters above the hood outlet from four points, 90 degrees apart, shall not exceed the following maximums.

FACE VELOCITY	MEASURED S. P. L. (W.G)
100 F.P.M.	.30 inches
125 F.P.M.	.45 inches
150 F.P.M.	.60 inches

1.02

SUBMITTALS

- A. Shop Drawings: Indicate equipment locations, large-scale plans, elevations, and cross sections, rough in and anchor placement dimensions and tolerances and all required clearances.
- B. Product Data: Submit manufacturer's data for each component and item of laboratory equipment specified. Include component dimensions, configurations, construction details, joint details, and attachments, utility and service requirements and locations.
- C. Samples: Submit 3" x 6" inch samples of finish for fume hood, work surfaces and for other pre finished equipment and accessories for selection by Architect.
- D. Test Reports: Submit test reports verifying conformance to test performances specified. Submit independent tests as specified.

1.03

QUALITY ASSURANCE

- A. Single source responsibility: Fume hood casework, work surfaces, and other laboratory equipment and accessories shall be manufactured or furnished by a single laboratory furniture company.
- B. Manufacturer's qualifications: Modern plant with proper tools, dies, fixtures and skilled worker to produce high quality laboratory casework and equipment, and shall meet the following minimum requirements:
 1. Ten years or more experience in manufacturing of laboratory casework and equipment of type specified.
 2. Ten installations of equal or larger size and requirements.
- C. Installer's qualifications: Factory certified by the manufacturer.
- D. Product shall be manufactured and assembled in the United States of America.

1.04

DELIVERY, STORAGE & HANDLING

- A. Schedule delivery of equipment so that spaces are sufficiently complete that equipment can be installed immediately following delivery.
- B. Protect finished surfaces from soiling or damage during handling and installation. Keep covered with polyethylene film or other protective coating.
- C. Protect all work surfaces throughout construction period with 1/4" corrugated cardboard completely covering the top and securely taped to edges. Mark cardboard in large lettering, "No Standing".

1.05

PROJECT CONDITIONS

- A. Do not deliver or install equipment until the following conditions have been met:
 1. Windows and doors are installed and the building is secure and weather tight.
 2. Plumbing, overhead ductwork and lighting are installed.
 3. All painting is completed and floor tile located below casework is installed.

2.01

FUME HOOD MATERIALS

- A. Steel: High quality, cold rolled, mild steel meeting requirements of ASTM A366; gauges U.S. Standard.
- B. Stainless Steel: Type 304 or 316; gauges U.S. Standard.
- C. Ceiling closure panels: Minimum 18 gauge; finish to match hood exterior.
- D. Bypass grilles: Low resistant type, 18 gauge steel, upward directional louvers.
- E. Safety glass: 7/32" thick laminated safety glass.
- F. Sash cables: 7 x 7 steel, coated, 1/8" diameter coated to 5/32".(Military spec. quality.)
- G. Sash guides: A full length extruded corrosion resistant polyvinyl chloride or powder coated steel with PVC guides to protect against metal to metal contact.
- H. Pulley assembly for sash cable: 2" diameter, steel construction, ball bearing type, with cable retaining device.
- I. Sash pull: Full width 16 gauge steel to match hood color.
- J. Interior access panels: To be made of the same material as the fume hood liner with an easily removable PVC gasket.
- K. Fastenings:
 - 1. Exterior structural members attachments: Sheet metal screws, zinc plated.
 - 2. Interior fastening devices concealed. Exposed screws not acceptable.
 - 3. Exterior panel member fastening devices to be corrosion resistant non-metallic material. Exposed screws not acceptable.
- B. Exhaust outlet: 10" round, 20 gauge stainless steel exhaust collars.
- C. Access opening perimeter: Top and sides of face opening to be radiused or angled.
 - 1. Bottom horizontal: foil shall be a flush-mount type and provide a 1" bypass to insure a clean sweep and to minimize eddies along the work surface when sash is in the closed position. For ADA fume hoods, a secondary containment trough with flush mount airfoil to be provided.
 - 2. Bottom sash rail: 1-1/2" frame section, 16-gauge steel or PVC. Provide pull, full width of bottom rail.
 - 3. Set safety glass into rails in deep form, extruded polyvinyl chloride or neoprene glazing channels if a steel sash frame is being used.
 - 4. Counter balance system: Single weight, pulley, cable, counter balance system which prevents sash tilting by means of a shaft driven" system and permits one finger operation at any point along full width pull. Sash not using this type of counter balance systems are unacceptable. Maximum 9 pounds pull required to raise or lower sash throughout its full length of travel. Design system to hold sash at any position without creep and to prevent sash drop in the event of cable failure.
 - 5. Open and close sash against rubber bumper stops.
- D. Fume hood liner: 3/16" Polyresin: Reinforced polyester panel smooth finish and white color in final appearance. Flexural strength: 14,000 psi. Flame spread: 15 or less per U.L. 723 and ASTM E84-80.

2.02

FUME HOOD CONSTRUCTION

- A. Superstructure: Rigid, self-supporting assembly of double wall construction, maximum 5-1/4" thick.
 - 1. Wall consists of a sheet steel outer shell and a corrosion resistant inner liner, and houses remote operating service fixture mechanisms and electrical services.
 - 2. Access to fixture valves concealed in wall provided by exterior removable access panels, gasketed access panels on the inside liner walls, or through removable front posts.
 - 3. Hoods must be of full frame construction. Hoods that use metal brackets and spacers to hold interior and exterior panel in place are unacceptable.
- E. Baffles: Fabricate fixed baffles providing controlled air vectors into and through the fume hood of the same material as the liner. Hoods with adjustable baffles are unacceptable. All baffle support brackets to be non-metallic.
- F. Service fixtures and fittings: Color-coded hose nozzle outlets and valves mounted inside the fume hood and controlled from the exterior with color-coded index handles (when specified).
 - 1. Valves: Rod-driven needlepoint type with self-centering cone tip and seat of hardened stainless steel.
 - 2. Provide pre-piping for all service fixtures from valve to common point for final connection by respective trades. 3/8" OD/1/4" ID polypropylene tubing for water, air and vacuum. 1/2" O.D Flexible Stainless Steel tubing for burning gas services.

3. Fixtures exposed to hood interior: Brass with chemically resistant powder coating.
4. Remote control handles: Prong type, easy to grasp.
5. Services: To be determined by Architect/Planner.
- G. Hood light fixtures: Two lamp, rapid start, T-8 UL listed fluorescent light fixture with sound rated ballast installed on top panel.
1. Interior of fixture: White, high reflecting plastic enamel.
 2. Size of fixture: Largest possible up to 48" for hoods with superstructures up to six feet. Provide two 24" fixtures for hoods with eight foot superstructures.
 3. Include lamps with fixtures.
 4. Illumination: Per performance values, part 1 of this section.
 5. Provide switch with black acid resistant thermoplastic (when specified).
 6. 3-way switch on each side of double sided hoods (when specified).
- H. Electrical services: Provide on each front post of hoods. Three wire grounding type receptacles rated at 120v GFI, 20 amperes where specified. Flush Plates: Black acid resistant thermoplastic.
- I. Work surfaces: 1-1/4" thick dished a nominal 1/4" to contain spills.
1. Molded resin work surfaces for hoods with white Resisto Roc or Poly-resin liners. Front raised edge no more than 1/2" wide.
- J. Safety Monitor/Alarm System: Provide safety Monitor/Alarm system that monitors face velocity and provides audible and visual alarm if face velocity drops below safe levels. The technology used in the TEL 500 will be based on thermally compensated thermistor based in the alarm module. As the internal fume hood pressure changes as the sash opening is closed and opened, the flow passing over the thermistor is calibrated to a face velocity that is displayed on the front of the monitor.
1. Safety monitor: UL listed, tamper proof, with all alarm circuits, electric components, external tubing, and manifolds furnished complete and factory installed. Monitor shall have light emitting diode display that provides clear indication of airflow conditions.
 2. Calibration is the responsibility of the owner and is required once the hood is stationed and the hood exhausts and room supply systems are balanced. A secondary calibration has been factory set into the alarm's memory only to determine that the alarm is functional and ready for shipment. The primary calibration must be completed in the field.
3. Airflow sensor: Thermally compensated glass beaded thermistor, factory connected to a sidewall port on the interior of the fume hood.
4. Alarm Signal: Audible signal and visual, red light emitting diode:
- a. Silence pushbutton, which disables the audible alarm, shall be accessible on the front of the safety monitor.
 - b. Provide alternate mode in which visible alarm is silenced indefinitely but visual alarm remains activated until the alarm condition is corrected.
 - c. When alarm condition is corrected and face velocity and volume return to specified levels, the Safety Monitor will automatically reset and begin routine monitoring.
 - d. Provide test circuit to verify proper Safety Monitor operation.
 - e. Electrical rating: Maximum 12 VDC, and maximum current rating of 20 OMA.
 - f. Provide a option for a sash alarm / sensor if required.

2.03 CEILING ENCLOSURE

Provide ceiling enclosure from top of hood to accommodate a ceiling height (verify). Fabricate enclosure from 18 gauge steel to match the hood material and finish.

- A. Preparation: Spray clean metal with a heated cleaner/ phosphate solution.
- B. Application: Electro statically apply powder coat of selected color and baked in controlled high temperature oven to assure a smooth, hard satin finish. Surfaces shall have a chemical resistant, high grade laboratory furniture quality finish of the following thickness:
1. Exterior and interior surfaces exposed to view: 1.5 mil average and 1.2 mil minimum.

2.04 SOURCE QUALITY CONTROL

- A. Demonstrate fume hood performance by means of documentation of a third party testing company to the ASHRAE 110-1995 methods of testing.

AIRFOIL

Shaped or streamlined member at hood entrance designed to enhance movement of air into the hood.

AIR VOLUME

Rate of airflow, normally expressed in cubic feet per minute (CFM).

ASHRAE

American Society of Heating, Refrigerating, and Air Conditioning Engineers, a professional organization that sets industry standards for fume hood testing procedures.

AUXILIARY AIR

Supply or makeup air delivered external to the chamber of a fume hood to reduce air consumption.

BAFFLE

Panels located across back of hood interior, which control pattern of air moving through the hood.

BLOWER

Air moving device (or fan) consisting of motor, impeller, and scroll.

BYPASS

Compensating opening that helps maintain constant volume exhaust from fume hood, regardless of sash position.

CANOPYHOOD

Ceiling or wall suspended ventilating device for noncritical use with heat, water vapor, odors, etc.

CFM

Cubic Feet Per Minute, a unit of measurement of air volume.

COMBINATION SASH

Horizontal panels in a vertically rising frame; see sash.

CONSTANT VOLUME

Type of fume hood exhaust system that exhausts the same volume of air, regardless of sash position.

CONTAINMENT

Extent to which fumes are confined within the hood compartment.

DAMPER

Device installed in duct to control air volume.

DEMONSTRATION HOOD

Fume hood with glass panels on two or three sides to improve visibility for demonstrating experiments in a classroom setting.

EXHAUST VOLUME/ PARAMETERS

Quantity of air exhausted by the fume hood; quantity of air required to maintain desired face velocity, expressed in cubic feet per minute (CFM).

FACE VELOCITY

Speed of air moving into the fume hood through the face opening (through the sash), measured in feet per minute (FPM).

FPM

Feet per minute; measurement of air velocity.

LINER

Fume hood interior sides, back, and top, including baffle.

LINTEL

Portion of fume hood front located above access opening.

LOUVERS

Slit-like openings in the lintel that allow bypass air to enter the hood when the sash is closed.

NFPA

National Fire Protection Association

NEGATIVE PRESSURE

Pressures lower than one atmosphere.

POSITIVE PRESSURE

Pressures higher than one atmosphere.

RESTRICTED BYPASS FUME HOOD

Fume hood operating type, designed with limited bypass area; commonly used in conjunction with Variable Air Volume (VAV) exhaust systems and restricted sash opening designs.

SASH

Sliding glass panel set in the fume hood face that provides access to the hood interior.

SERVICE FITTING / PLUMBING

Water faucets and gas valves mounted on or fastened to the fume hood.

STATIC PRESSURE

Air pressure, or resistance, in fume hood or duct, expressed in inches of water.

U.L. 1805

Underwriters Laboratories certification that verifies conformance to electrical, mechanical, and airflow standards.

VARIABLE AIR VOLUME (VAV)

Type of fume hood exhaust system that typically maintains constant fume hood face velocity by adjusting blower motor speed or a balance damper in response to changes in sash position.

VELOCITY

Speed of air, measured in feet per minute (FPM).

VELOCITY PRESSURE

Force per square inch applied by moving air.

VOLUME

Quantity of air, usually measured in cubic feet per minute (CFM).

WORK SURFACE

Top material; area in fume hood where apparatus rests and where work takes place.

COLORS

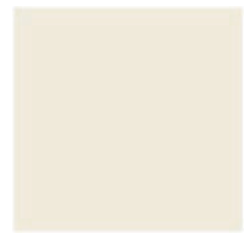
Reproductions of the standard colors may vary from actual finished products. If color match is critical, actual samples on metal can be supplied upon request.



OFF WHITE



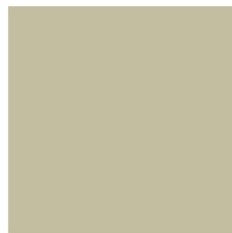
CHAMPAGNE



LIGHT ALMOND



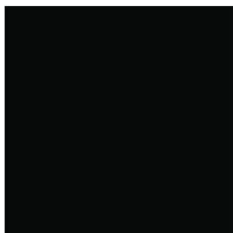
MODEL GRAY



FAWN BEIGE



MEDIUM BLUE



BLACK



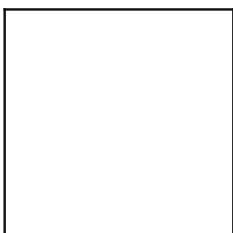
BANKER'S GRAY



HUNTER GREEN



BURGUNDY



PETAL WHITE



WEDGEWOOD BLUE



STONE GRAY



PEWTER

WWW.LABSCAPE.COM



800.898.6649

info@labscape.com