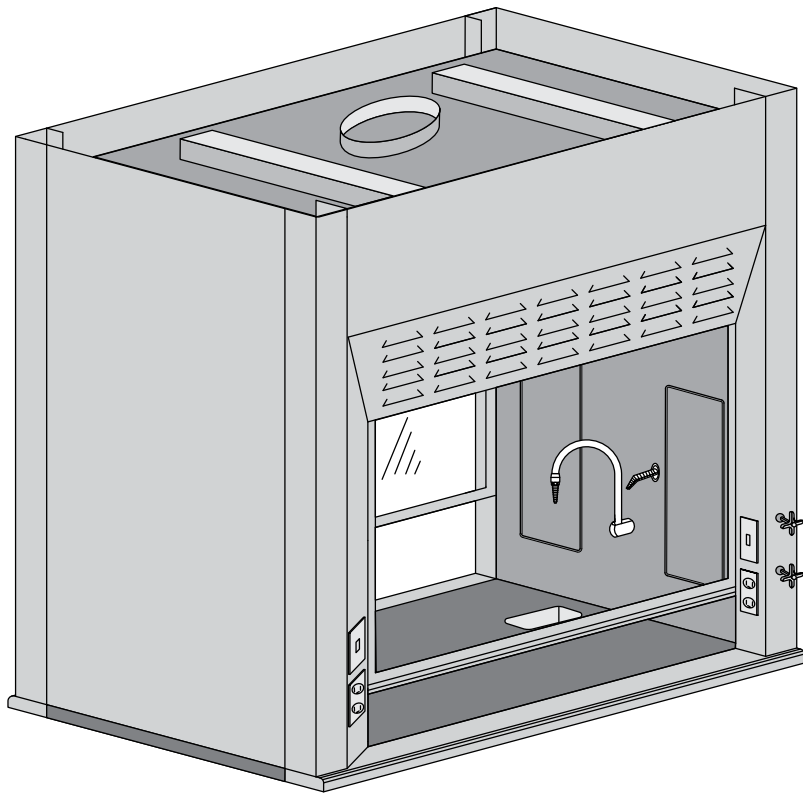


# LABSCAPE // 200 SERIES

DOUBLE SIDED 100 SERIES

10



## DUAL ACCESS.

The 200 Series provides the same aerodynamic design features as the LS-100 Airfoil Hood Series, with entrance from two sides. This makes it ideal for use in classroom or prep room settings or whenever demonstration of experiments is desired.

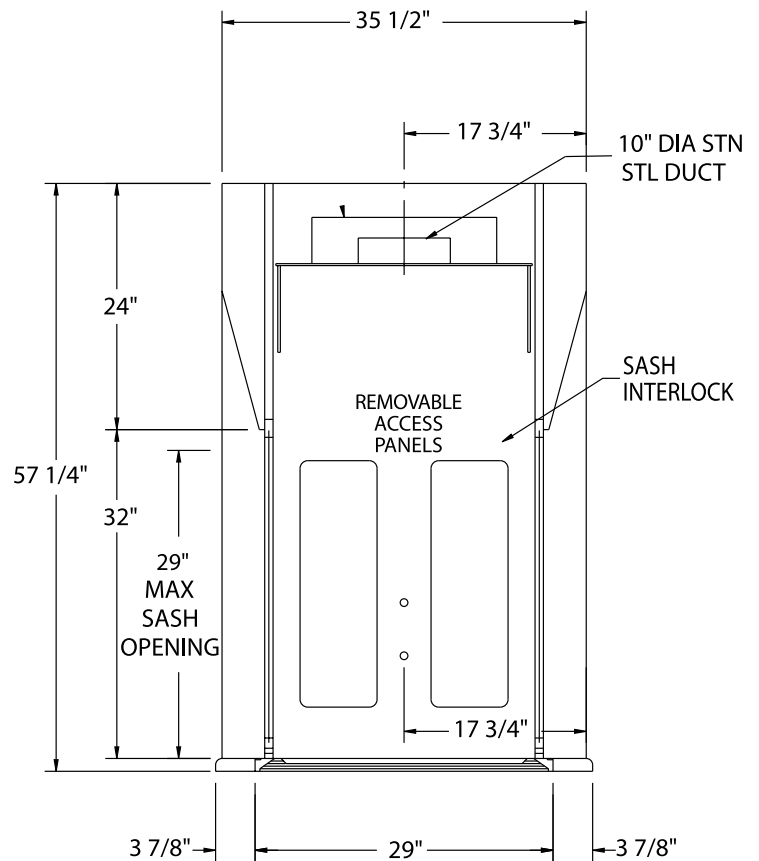
A 45-degree angle around the fascia and a flush-mount radiused airfoil across the bottom provide minimized turbulence and increased performance.

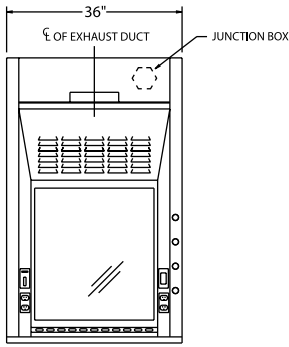
The LS-200 features standard 5" posts to allow for electrical and remote control plumbing services on both sides, and these can be configured to your exact specifications. Five standard sizes and an array of options make this one of the most flexible fume hoods available anywhere.

## STANDARD FEATURES

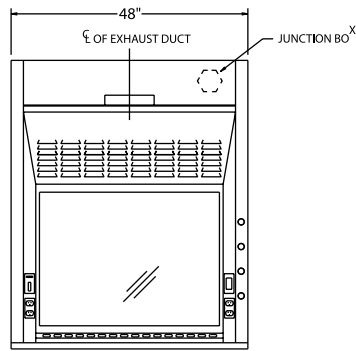
U.L. 1805 CLASSIFIED

- POWDER COAT FINISH
- FULL FRAME CONSTRUCTION
- U.L. LISTED POLY RESIN LINER
- T-8 FLUORESCENT LIGHT WITH BULBS
- FLUSH-MOUNT AIRFOIL
- KNOCK DOWN CAPABILITY
- FULL-LENGTH FINGER LIFT
- LOUVERED FRONT FOR BY-PASS
- SASH INTERLOCK

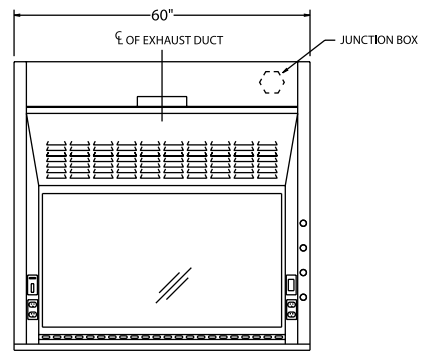




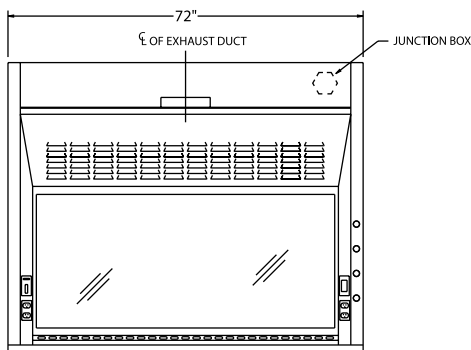
LS-211-36



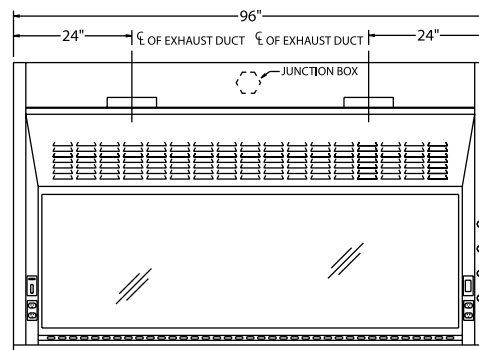
LS-211-48



LS-211-60



LS-211-72



LS-211-96

Part Number	Superstructure			Worktop			Hood Opening		CFM @ 29"*	CFM @ 18"*	SP	Blower Model #	Shipping Weight
	W	H	D	W	H	D	W	H					
LS-211-36	36"	56"	35-1/2"	36"	1-1/4"	29"	26"	29"	567	354	.25	BL-100-36	400
LS-211-48	48"	56"	35-1/2"	48"	1-1/4"	29"	38"	29"	833	521	.33	BL-100-48	450
LS-211-60	60"	56"	35-1/2"	60"	1-1/4"	29"	50"	29"	1100	688	.34	BL-100-60	500
LS-211-72	72"	56"	35-1/2"	72"	1-1/4"	29"	62"	29"	1367	854	.34	BL-100-72	550
LS-211-96	96"	56"	35-1/2"	96"	1-1/4"	29"	86"	29"	1900	1188	.40	BL-100-96	650

\* HEIGHT OF OPEN SASH // CFM CALCULATED AT 100 FPM WITH ONE SASH OPEN.

OPTIONAL ACCESSORIES

ITEM	PT#	PAGE
Ceiling Enclosures	CE	31
Plumbing Accessories		32
Electrical Accessories		33
Epoxy Tops	ET	37
Alarms	ALARM	
Base Cabinets	BC	34
Blowers	BL	
Pre-Plumbing	PREP	

ITEM	PT#	PAGE
Pre-Wiring	PREW	
Sash Stops	SASHSTOP	36
Stainless Steel Sash	SS SASH	36
Stainless Steel Airfoil	SS AF	
Push Button Sash	PUSH BUTTON	36
Combination Sash	H&V	36
Automatic Sash Return	AUTO RETURN	36
Lattice Assembly	LATTICE	