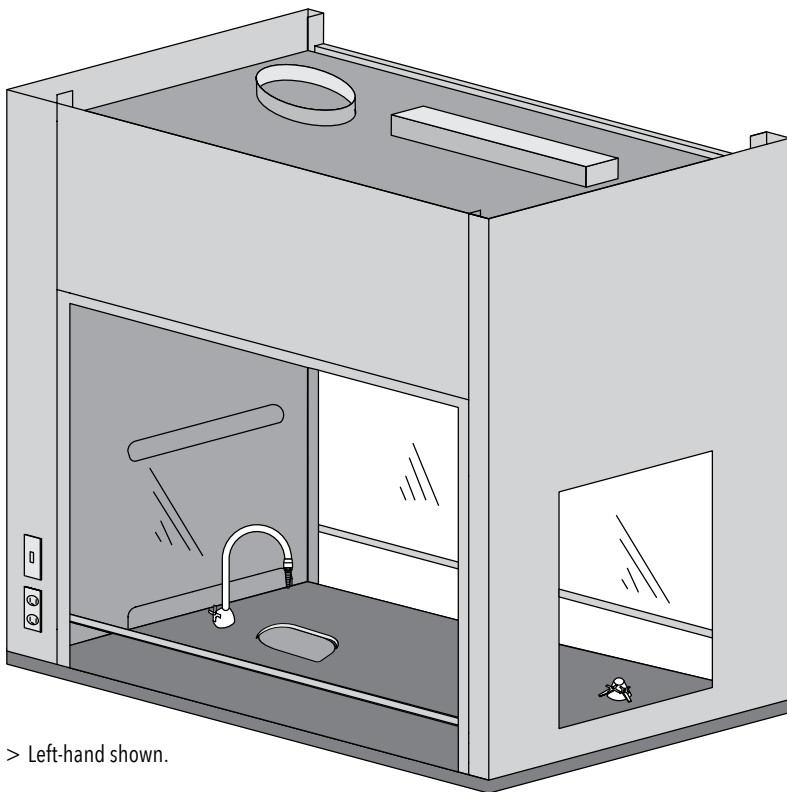


# LABSCAPE // 900 SERIES

## DEMONSTRATION HOOD

24



> Left-hand shown.

### THREE WINDOWS FOR OPTIMUM VIEWING.

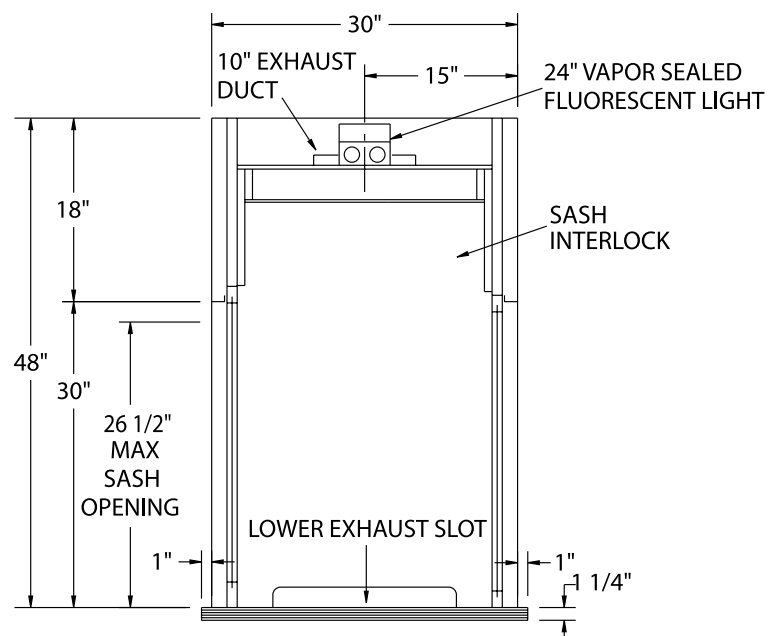
The LS-900 Series is an educational viewing fume hood with one slimmed down 2" front post and one standard 5" post to allow for more workspace and electrical services. Plumbing service must be deck mounted.

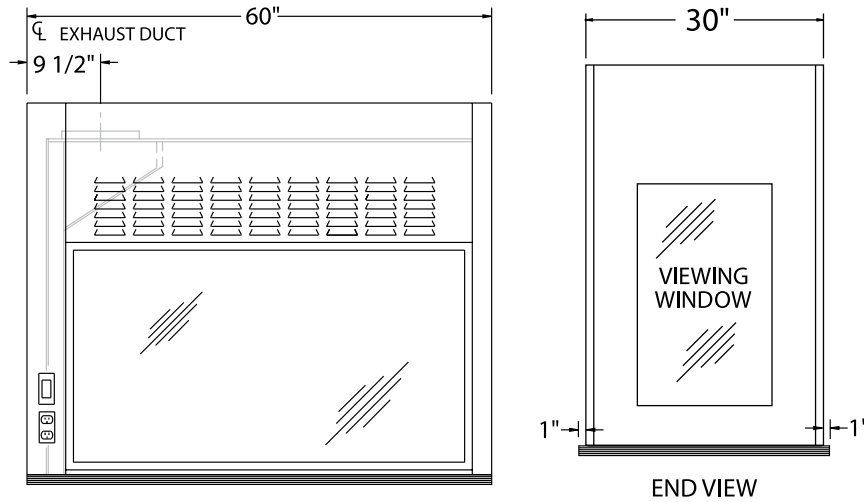
The LS-900 is available in either right-hand or left-hand orientation. This hood features a two-sash configuration and a third (end) viewing window, making it ideal for use in high schools or any environment where demonstration of experiments is desired. The end window may be eliminated for through-wall installations.

### STANDARD FEATURES

U.L.1805 CLASSIFIED

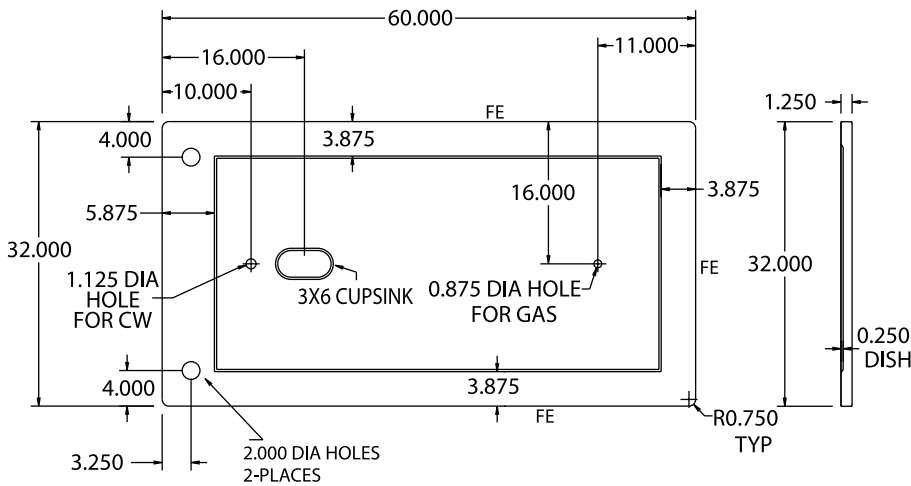
- POWDER COAT FINISH
- FULL FRAME CONSTRUCTION
- U.L. LISTED POLY RESIN LINER
- T-8 FLUORESCENT LIGHT WITH BULBS
- KNOCK DOWN CAPABILITY
- FULL-LENGTH FINGER LIFT
- LOUVERED FRONT FOR BY-PASS
- 10" ROUND DUCT
- SASH INTERLOCK





**LS-911-60L**  
SWITCHES ON LEFT AS SHOWN

**LS-911-60R**  
SWITCHES ON RIGHT / NOT SHOWN



TO ORDER WITHOUT A VIEWING WINDOW // ADD -OEV TO THE PART NO.

Part Number	Superstructure			Worktop			Hood Opening		CFM @ 26.5"*	CFM @ 18"*	SP	Blower Model #	Shipping Weight
	W	H	D	W	H	D	W	H					
LS-911-60	60"	48"	30"	60"	1-1/4"	32"	53"	26.5"***	1030	722	.75	BL-900-60	500

\* HEIGHT OF OPEN SASH // CFM CALCULATED AT 100 FPM WITH ONE SASH OPEN. \*\*EACH SIDE. FOR VAV HOODS // ADD -VAV TO THE PART NUMBER. PLEASE SPECIFY LEFT OR RIGHT // LEFT SHOWN.

OPTIONAL ACCESSORIES

ITEM	PT#	PAGE
Ceiling Enclosures	CE	31
Plumbing Accessories		32
Electrical Accessories		33
Epoxy Tops	ET	37
Alarms	ALARM	
Base Cabinets	BC	34
Blowers	BL	
Pre-Plumbing	PREP	

ITEM	PT#	PAGE
Pre-Wiring	PREW	
Sash Stops	SASHSTOP	36
Stainless Steel Sash	SS SASH	36
Push Button Sash	PUSH BUTTON	36
Combination Sash	H&V	36
Automatic Sash Return	AUTO RETURN	36
Lattice Assembly	LATTICE	