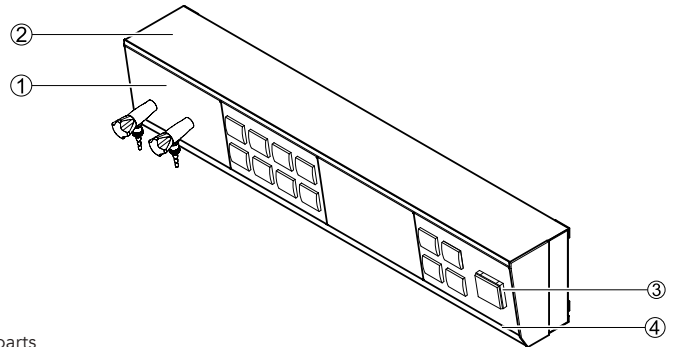


SERVICE DUCT

CEILING SUPPLY SYSTEMS

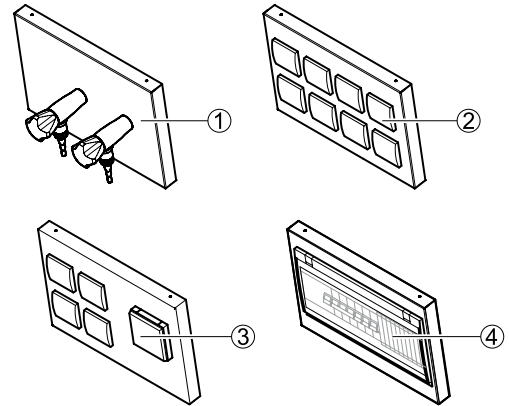


DIAGRAM

- 1 Service panel plumbing
- 2 Top cover (storage capacity)
- 3 Service panel electric installation
- 4 Integrated rail for tool-free installation of add-on parts

VARIANTS

- 1 Service panel with corner valves
- 2 Service panel with 8 sockets of the same type
- 3 Service panel with different types of sockets
- 4 Service panel with automatic circuit breaker



INTENDED USE

- Supply of services at the laboratory workstation
- Integration of all tapping points, including sockets and multiple connectors, for information engineering
- Enhancement and modification of the services supply through clipping of the panels
- For use in service spines, service wall ducts, suspended service booms, service modules and bench-mounted service outlets
- Tool-free installation of supplemental service duct add-on parts such as pegboards, monitor arms, pipette holders, paper towel dispensers, universal storage, etc.



TECHNICAL DATA

DIMENSIONS					
Width [in] (mm)	23.62 (600)	35.43 (900)	47.24 (1200)	59.06 (1500)	70.87 (1800)
Depth [in] (mm)	4.33 (110)				
Height [in] (mm)	9.92 (252)				
Front Inclination [°]	9				
Panel Width x Height [in] (mm)	11.81 (300) x 7.87 (200)				

The Service Duct is Extendable in Increments of 11.81 (300 mm)

RELEVANT FEATURES	
Number of Service Panels	Dependent on Width of Service Duct Supply of Electrical and Information Technology Corresponding to Combination w/ Other Service Modules
Service Panel	Clipped to Size
Waterproof Protection	Degree of Protection IP 44

MATERIAL	
Covering	Solid Grade Laminate 0.2 in (5 mm) Glass Plate

ELECTRICAL ENGINEERING	
Electrical Supply	Socket in Service Panel
Fuse Box	Optional
Max. No. of 230 V Outlets per Panel	8
Max. No. of 400 V Outlets per Panel	2
Max. No. of Automatic Circuit Breakers per Panel	15

SANITARY ENGINEERING	
Sanitary Supply	Service Panel w/ Taps and Fittings for Vacuum, Gases or Water Service Supply Corresponding to Combination w/ Other Service Modules
Max. No. of Corner Valves per Panel	5
Max. No. of High Purity Gas Valves per Panel	3 to 5, Depending on Model and Function