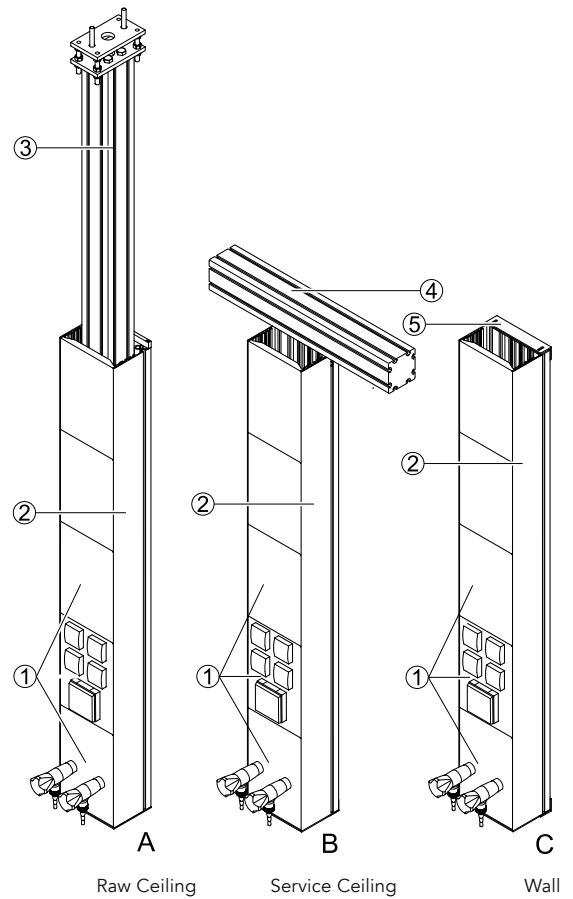


# SERVICE COLUMN

## CEILING SUPPLY SYSTEMS

### DIAGRAM

- 1 Service panel with corner valves/outlets/empty panel
- 2 Single/double-sided service column aluminium profile
- 3 Ceiling console with steel sheet and aluminium profile
- 4 Service ceiling (by client)
- 5 Angle profile for wall mounting
- 6 Service column



### INTENDED USE

- Service supply via the ceiling for //
  - + Laboratory benches under the service columns
  - + Laboratory equipment on mobile tables or structures
  - + Floor-mounted laboratory equipment
- One or two-sided design
- Variants for genetic engineering areas
- Additional storage areas through the connection of service columns with reagent repositories